



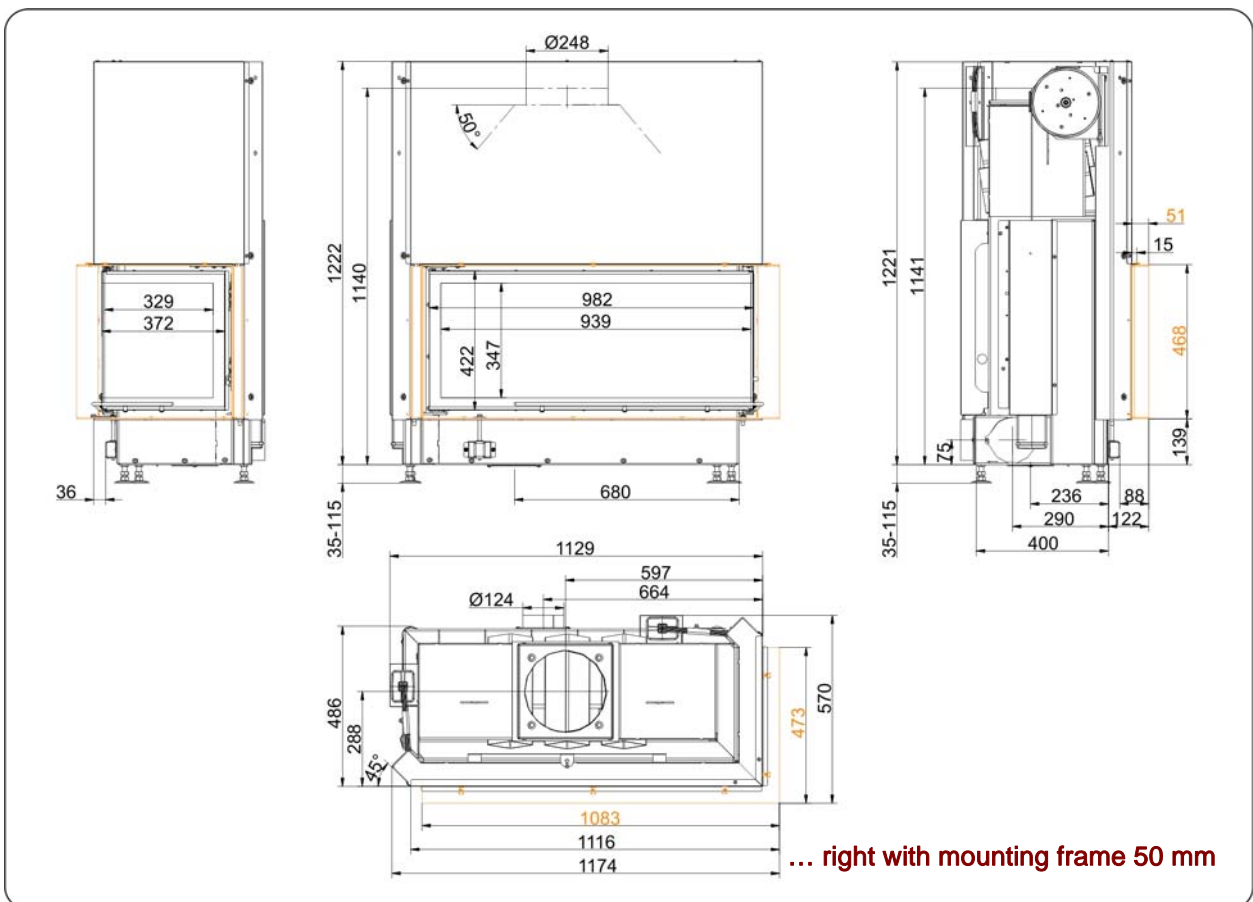
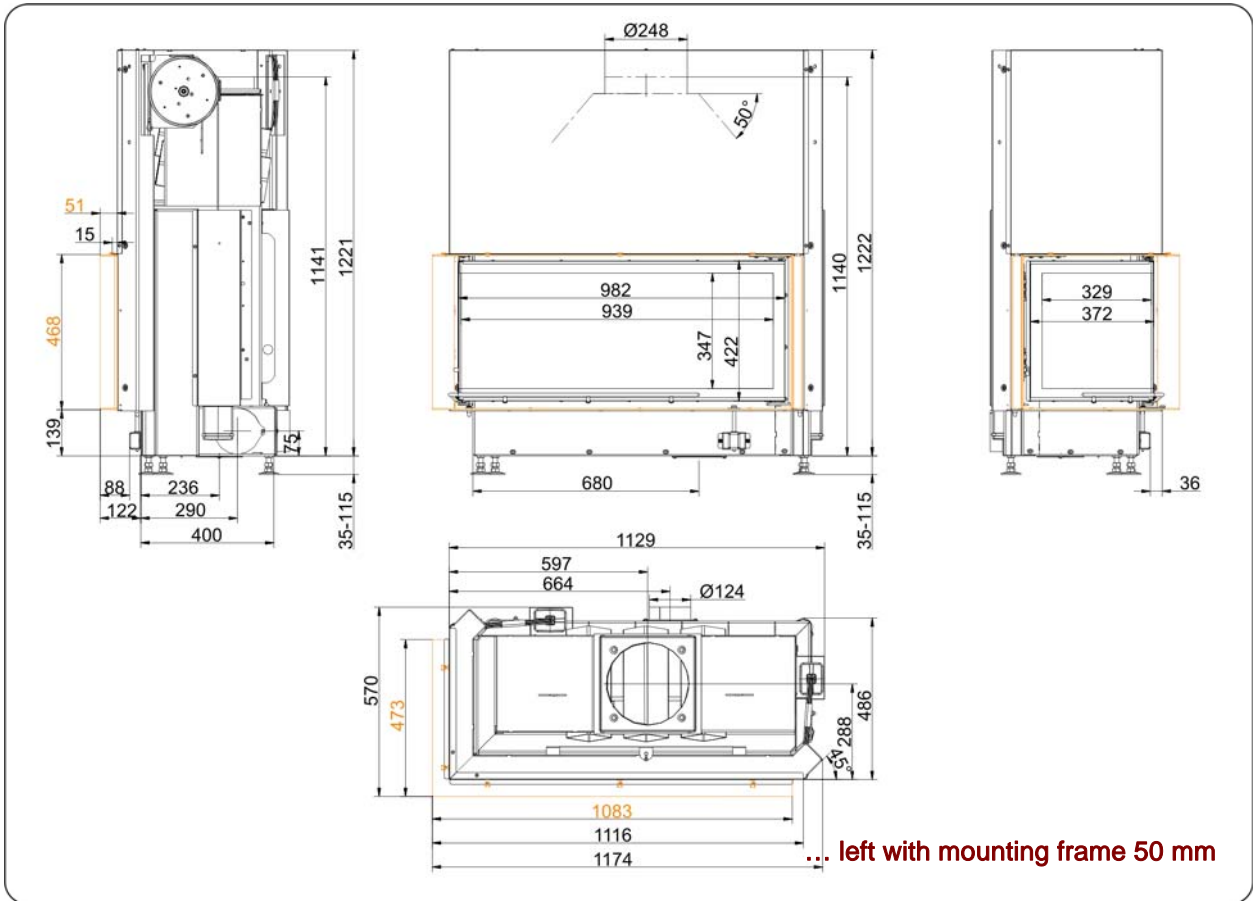
## Architektur-Eck 45/101/40 lifting doors (easy-lift)

State: 17.06.2013

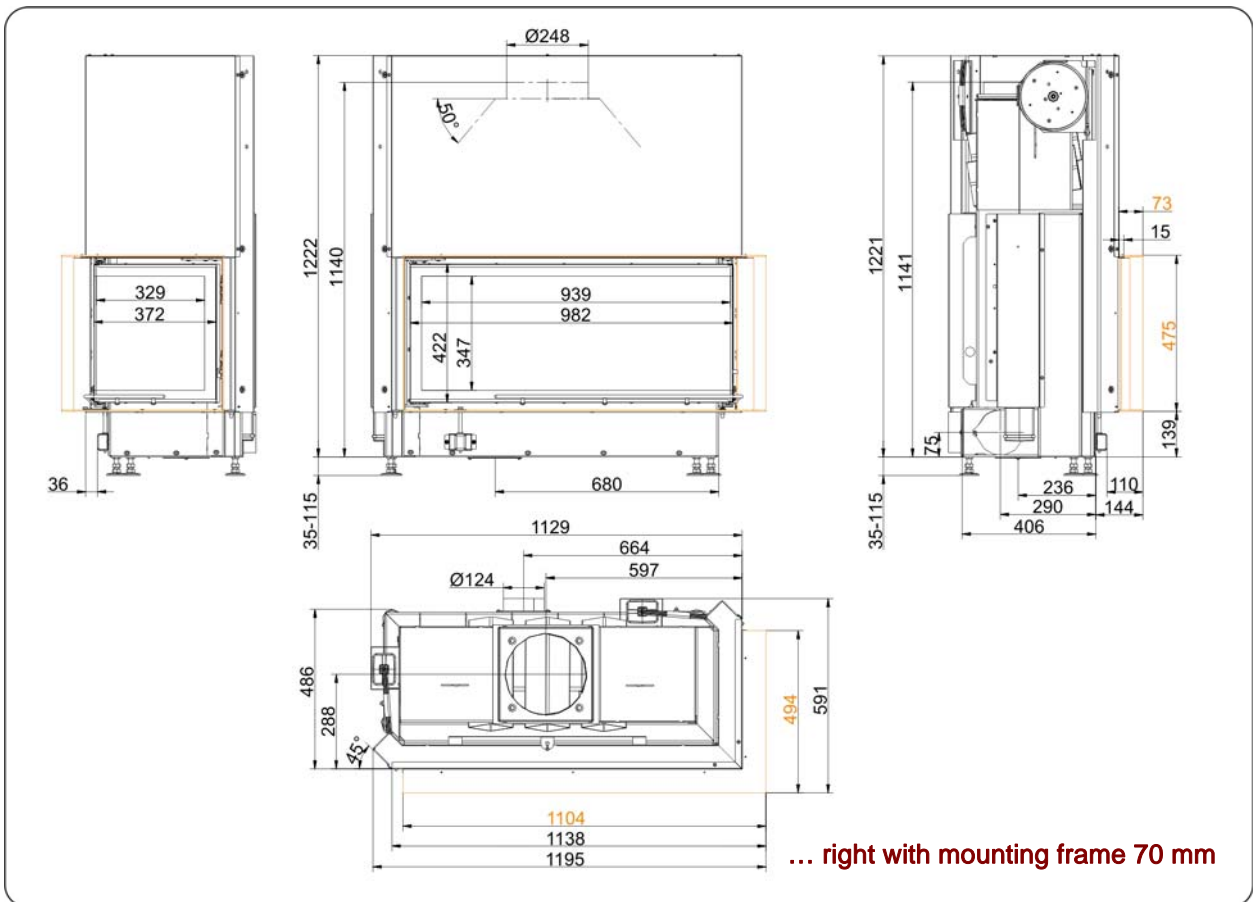
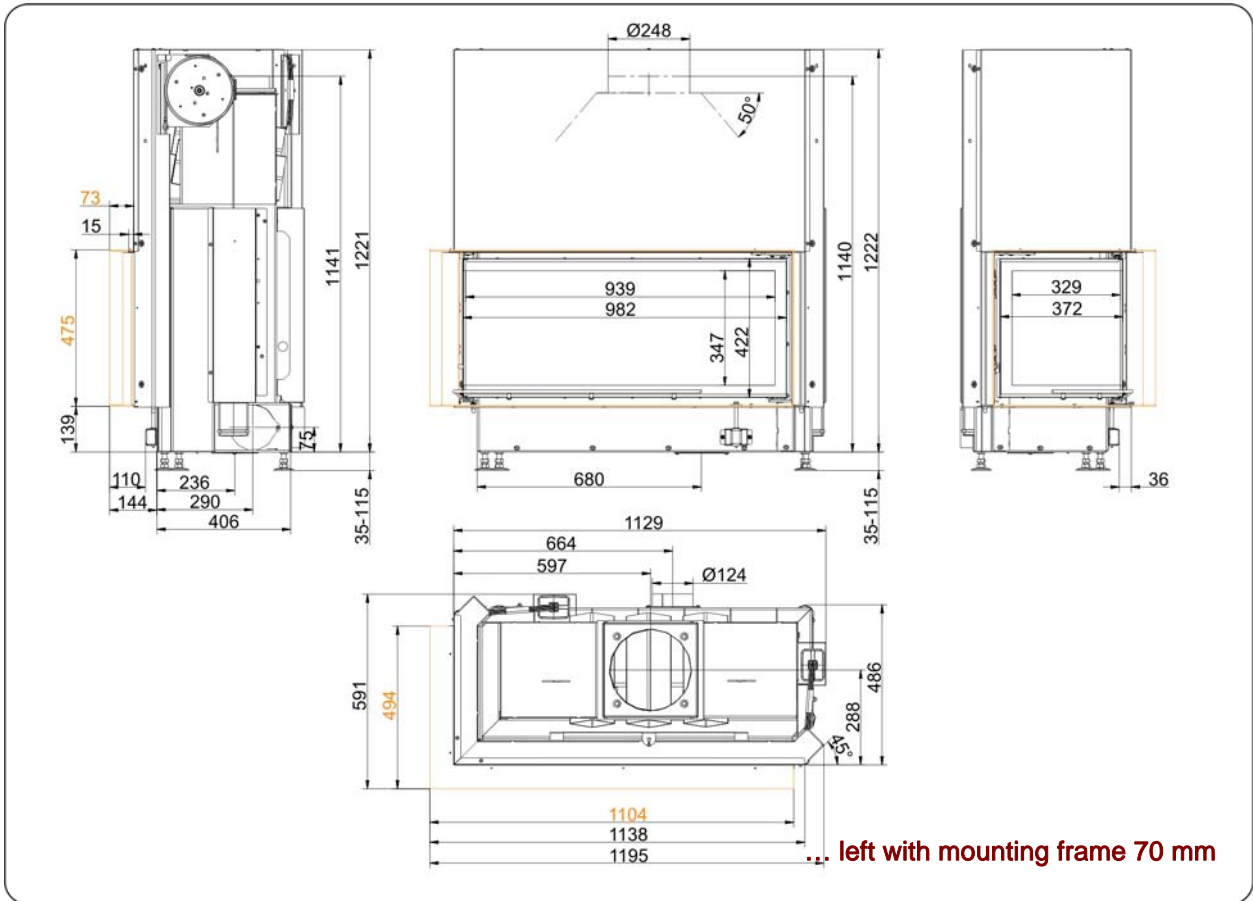


**BRUNNER**<sup>®</sup>  
*made in germany*

Dimension sheet | **Architektur-Eck 45/101/40 lifting doors (easy-lift)**



Dimension sheet | **Architektur-Eck 45/101/40 lifting doors (easy-lift)**



We suggest for CAD planing Palette CAD. Permanent updated drawings: [www.brunner.de](http://www.brunner.de)  
 Frames / front versions are marked colored.

# Planning and installation

## Architektur-Eck 45/101/40

Tested according to	EN 13229 W	EN 13229 W
Values measured at	nominal load	open door
Suitable for all construction types according to rules	OK	OK
<b>Data for functional demonstration</b>		
Rated heat power	kW 14,5	-
Firewood consumption	kg/h 4,3	4,3
Combustion performance	kW 18	18
Flue gas mass flow	g/s 18	120
Outlet temperature (before heating surface)	°C -	-
Flue gas temperature after		
attached steel smoke hood	°C 190	105
adjoining cast iron radiator (GNF10)	°C -	-
accumulation rings (MAS) <sup>1)</sup>	°C -	-
adjoining ceramic accumulator <sup>2)</sup>	°C -	-
accumulation stones (MSS)	°C -	-
water boiler	°C -	-
Necessary supply pressure	Pa 12	6
Combustion air consumption	m <sup>3</sup> /h 60	250
Combustion air connection Ø	mm 125	-
<b>Heat distribution</b>		
Insert / heating surface	% 55 / -	- / -
Glass (single / double)	% 45 / -	- / -
Boiler	% -	-
<b>Cross-section of gratings for max. warm air power</b>		
Supply air	cm <sup>2</sup> 1200	-
Warm air	cm <sup>2</sup> 1200	-
<b>Minimal oven surface for closed construction type</b>		
Surface giving off heat	m <sup>2</sup> 6,4	-
<b>Space inside oven chamber</b>		
Distance to oven chamber wall	cm 8	8
Distance to floor	cm -	-
<b>Heat insulation without / with <sup>3)</sup> air gratings</b>		
Wall	cm 16 / 12	16 / 12
Floor	cm 4 / 4	4 / 4
Ceiling	cm 22 / 16	22 / 16
Insulation of additional fire door DHT	cm -	-
Brick lining of protected walls	cm 10	10
<b>Weight</b>		
Fireplace + burning chamber	kg	254 + 85
<b>meets requirement limit values for</b>		
Germany / Austria / Switzerland / Norway	1.BImSchV (Stufe 2) / - / - / NS 3059	

1) Throttle flap recommended

2) Approximate value, must be calculated eventually

3) Values with air gratings, stove casing is heat conducting

Ulrich Brunner GmbH  
Zellhuber Ring 17 -18  
D-84307 Eggenfelden  
Phone: +49 / (0)87 21 / 7 71-0  
Fax: +49 / (0)87 21 / 7 71-100  
info@brunner.eu | www.brunner.eu



BRUNNER products are offered and sold only by qualified dealers and service centres.  
Subject to technical and assortment changes. Errors excepted. (06/13)