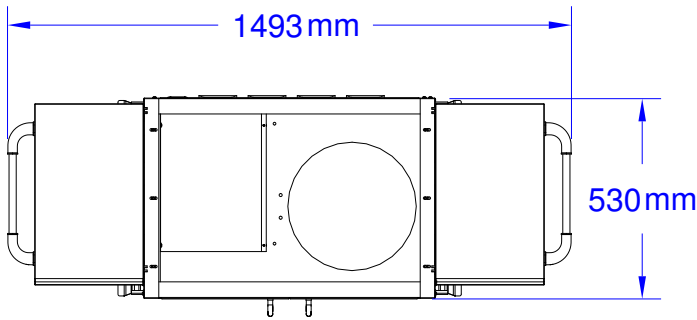
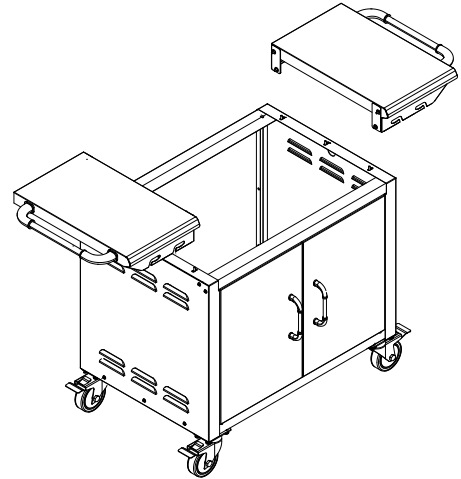




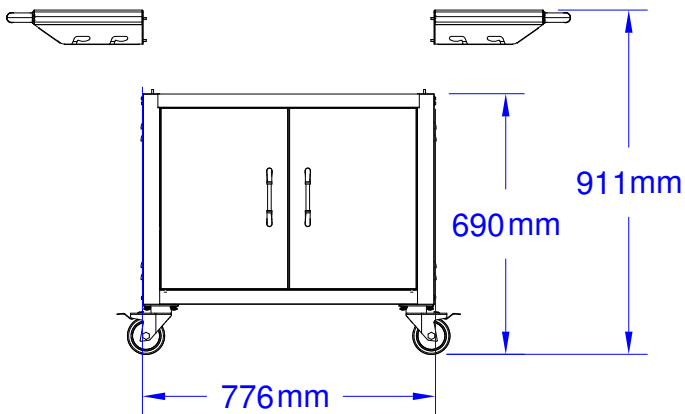
ITEMS:#45551CE  
ANGUS CART



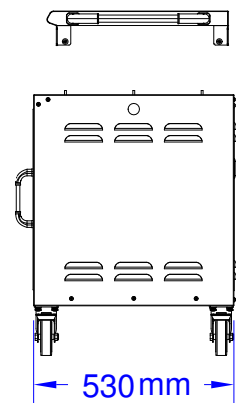
Top View



Isometric View



Front View



Side View

SPEC SHEET NOTES:

1. SCALE: 1:20 ( Printer page scaling none, do not use fit to printable area option )
2. REVISION: 07/2018