

INSTALLATIEVOORSCHRIFTEN EN GEBRUIKSAANWIJZING  
INSTALLATION INSTRUCTIONS AND OPERATING MANUAL  
INSTALLATION ET MODE D'EMPLOI  
EINBAUANLEITUNG UND GEBRAUCHSANWEISUNG  
INSTRUCCIONES DE INSTALACIÓN Y USO  
ISTRUZIONI PER L'INSTALLAZIONE E L'USO  
MONTERINGS- OG BRUKSANVISNING

HOUTKACHEL  
WOOD STOVE  
POELE A BOIS  
HOLZ-FEUERSTÄTTE  
ESTUFA DE LEÑA  
STUFA A LEGNA  
PEISOVN



**VISTA 600**  
**VISTA 600C**



**VISTA 700**  
**VISTA 700C**



**VISTA 800**  
**VISTA 800C**



**VISTA 900**  
**VISTA 900C**



# Table of contents

---

<b>Introduction</b> .....	<b>3</b>
<b>Performance declaration</b> .....	<b>4</b>
<b>Performance declaration</b> .....	<b>6</b>
<b>Performance declaration</b> .....	<b>8</b>
<b>Performance declaration</b> .....	<b>10</b>
<b>Safety</b> .....	<b>12</b>
<b>Installation requirements</b> .....	<b>12</b>
General .....	12
Flue .....	12
Room ventilation .....	13
Floor and walls .....	13
Product description VISTA .....	14
Product description VISTA C .....	14
<b>Installation</b> .....	<b>14</b>
General preparation .....	14
Prepareconnection to outside air .....	16
Building into a new hearth .....	16
<b>Use</b> .....	<b>21</b>
First use .....	21
Fuel .....	21
Lighting .....	21
Burning wood .....	22
Maximum amount of wood .....	22
Controlling combustion air .....	22
Extinguishing the fire .....	24
Removing ash .....	24
Fog and mist .....	24
Resolving problems .....	24
<b>Maintenance</b> .....	<b>24</b>
Flue .....	24
Cleaning and other regularly maintenance .....	24
<b>Appendix 1: Technical data</b> .....	<b>26</b>
<b>Appendix 2: Dimensions</b> .....	<b>27</b>
<b>Appendix 3: Distance from combustible material</b> .....	<b>35</b>
<b>Appendix 4: Diagnosis diagram</b> .....	<b>40</b>
<b>Index</b> .....	<b>41</b>



# Introduction

Dear user,

By purchasing this heating appliance from DOVRE you have selected a quality product. This product is part of a new generation of energy-conscious and environmentally friendly heating appliances. These appliances make optimum use of convection heat as well as radiation heat.

- ▶ Your DOVRE appliance has been manufactured with state-of-the-art production equipment. In the unlikely event of a malfunction, you can always rely on DOVRE for support and service.
- ▶ The appliance should not be modified; please always use original parts.
- ▶ The appliance is intended for use in a living room. It must be hermetically connected to a properly working flue.
- ▶ We advise you have the appliance installed by an authorized and competent installer.
- ▶ DOVRE cannot be held liable for any problems or damage resulting from incorrect installation.
- ▶ Observe the following safety regulations when installing and using the appliance.

In this manual, you can read how the DOVRE heating appliance can be installed, used and maintained safely. Should you require additional information or technical data, or should you experience an installation problem, please first contact your supplier.

© 2015 DOVRE NV



# Performance declaration

In accordance with construction products regulation 305/2011

No.117-CPR-2015

**1. Unique identification code of the product type:**

VISTA 600 / VISTA 600C

**2. Type, batch or serial number or other form of identification for the construction product, as prescribed in article 11, subsection 4:**

Unique serial number.

**3. Intended use for the construction product, in accordance with the applicable harmonised technical specification, as specified by the producer:**

Stove for solid fuel without production of warm water in accordance with EN 13229

**4. Name, registered trade name or registered trademark and contact address of the producer, as prescribed in article 11, subsection 5:**

Dovre N.V., Nijverheidsstraat 18, B-2381 Weelde, Belgium

**5. If applicable, name and contact address for the authorised whose mandate covers the tasks specified in article 12, subsection 2:**

-

**6. The system or systems for the evaluation and verification of the performance durability of the construction product, specified in appendix V:**

System 3

**7. If the performance declaration concerns a construction product for which a harmonised norm is issued:**

The appointed KVBG agency, registered under number 2013, has performed a type test under system 3 and has issued the test report no. H2015/0074.

**8. If the performance declaration concerns a construction product for which a European technical assessment is issued:**

-



## 9. Declared performance:

<b>The harmonised norm</b>	<b>EN 13229:2001/A2 ;2004/AC :2007</b>
<b>Essential characteristics</b>	<b>Performance Wood</b>
Fire safety	
Fire resistance	A1
Distance from combustible material	Minimum distance in mm Rear: 50 with insulation Side: 60 with insulation
Risk of glowing particles falling out	Conform
Emission of combustion products	CO: 0.08% (13%O <sub>2</sub> )
Surface temperature	Conform
Electrical safety	-
Ease of cleaning	Conform
Maximum operating pressure	-
Flue gas temperature at nominal output	212 °C
Mechanical resistance (carrying weight of chimney)	Not determined
Nominal output	8 kW
Efficiency	80%

## 10. The performance of the product described in points 1 and 2 conform with the performance reported in point 9.

This performance declaration is supplied under the exclusive responsibility of the producer specified in point 4:

T. Gehem



Tom Gehem  
CEO

01/08/2015 Weelde

Due to continuous product improvement, the specifications of the appliance supplied can vary from the description in this brochure without prior notice.

DOVRE N.V.

Nijverheidsstraat 18 Tel : +32 (0) 14 65 91 91

B-2381 Weelde Fax : +32 (0) 14 65 90 09

Belgium E-mail : info@dovre.be



# Performance declaration

In accordance with construction products regulation 305/2011

No.118-CPR-2015

**1. Unique identification code of the product type:**

VISTA 700 / VISTA 700C

**2. Type, batch or serial number or other form of identification for the construction product, as prescribed in article 11, subsection 4:**

Unique serial number.

**3. Intended use for the construction product, in accordance with the applicable harmonised technical specification, as specified by the producer:**

Stove for solid fuel without production of warm water in accordance with EN 13229

**4. Name, registered trade name or registered trademark and contact address of the producer, as prescribed in article 11, subsection 5:**

Dovre N.V., Nijverheidsstraat 18, B-2381 Weelde, Belgium

**5. If applicable, name and contact address for the authorised whose mandate covers the tasks specified in article 12, subsection 2:**

-

**6. The system or systems for the evaluation and verification of the performance durability of the construction product, specified in appendix V:**

System 3

**7. If the performance declaration concerns a construction product for which a harmonised norm is issued:**

The appointed KVBG agency, registered under number 2013, has performed a type test under system 3 and has issued the test report no. H2015/0075.

**8. If the performance declaration concerns a construction product for which a European technical assessment is issued:**

-



**9. Declared performance:**

<b>The harmonised norm</b>	<b>EN 13229:2001/A2 ;2004/AC :2007</b>
<b>Essential characteristics</b>	<b>Performance Wood</b>
Fire safety	
Fire resistance	A1
Distance from combustible material	Minimum distance in mm Rear: 50 with insulation Side: 60 with insulation
Risk of glowing particles falling out	Conform
Emission of combustion products	CO: 0.10% (13%O <sub>2</sub> )
Surface temperature	Conform
Electrical safety	-
Ease of cleaning	Conform
Maximum operating pressure	-
Flue gas temperature at nominal output	241°C
Mechanical resistance (carrying weight of chimney)	Not determined
Nominal output	10 kW
Efficiency	83 %

**10. The performance of the product described in points 1 and 2 conform with the performance reported in point 9.**

**This performance declaration is supplied under the exclusive responsibility of the producer specified in point 4:**

T. Gehem



Tom Gehem  
CEO

01/08/2015 Weelde

Due to continuous product improvement, the specifications of the appliance supplied can vary from the description in this brochure without prior notice.

DOVRE N.V.

Nijverheidsstraat 18 Tel : +32 (0) 14 65 91 91

B-2381 Weelde Fax : +32 (0) 14 65 90 09

Belgium E-mail : info@dovre.be



# Performance declaration

In accordance with construction products regulation 305/2011

No.119-CPR-2015

**1. Unique identification code of the product type:**

VISTA 800 / VISTA 800C

**2. Type, batch or serial number or other form of identification for the construction product, as prescribed in article 11, subsection 4:**

Unique serial number.

**3. Intended use for the construction product, in accordance with the applicable harmonised technical specification, as specified by the producer:**

Stove for solid fuel without production of warm water in accordance with EN 13229

**4. Name, registered trade name or registered trademark and contact address of the producer, as prescribed in article 11, subsection 5:**

Dovre N.V., Nijverheidsstraat 18, B-2381 Weelde, Belgium

**5. If applicable, name and contact address for the authorised whose mandate covers the tasks specified in article 12, subsection 2:**

-

**6. The system or systems for the evaluation and verification of the performance durability of the construction product, specified in appendix V:**

System 3

**7. If the performance declaration concerns a construction product for which a harmonised norm is issued:**

The appointed KVBG agency, registered under number 2013, has performed a type test under system 3 and has issued the test report no. H2015/0076.

**8. If the performance declaration concerns a construction product for which a European technical assessment is issued:**

-





**9. Declared performance:**

<b>The harmonised norm</b>	<b>EN 13229:2001/A2 ;2004/AC :2007</b>
<b>Essential characteristics</b>	<b>Performance Wood</b>
Fire safety	
Fire resistance	A1
Distance from combustible material	Minimum distance in mm Rear: 50 with insulation Side: 60 with insulation
Risk of glowing particles falling out	Conform
Emission of combustion products	CO: 0.09% (13%O <sub>2</sub> )
Surface temperature	Conform
Electrical safety	-
Ease of cleaning	Conform
Maximum operating pressure	-
Flue gas temperature at nominal output	210 °C
Mechanical resistance (carrying weight of chimney)	Not determined
Nominal output	12 kW
Efficiency	82.5%

**10. The performance of the product described in points 1 and 2 conform with the performance reported in point 9.**

**This performance declaration is supplied under the exclusive responsibility of the producer specified in point 4:**

T. Gehem



Tom Gehem  
CEO

01/08/2015 Weelde

Due to continuous product improvement, the specifications of the appliance supplied can vary from the description in this brochure without prior notice.

DOVRE N.V.

Nijverheidsstraat 18 Tel : +32 (0) 14 65 91 91

B-2381 Weelde Fax : +32 (0) 14 65 90 09

Belgium E-mail : info@dovre.be



# Performance declaration

In accordance with construction products regulation 305/2011

No.120-CPR-2015

**1. Unique identification code of the product type:**

VISTA 900 / VISTA 900C

**2. Type, batch or serial number or other form of identification for the construction product, as prescribed in article 11, subsection 4:**

Unique serial number.

**3. Intended use for the construction product, in accordance with the applicable harmonised technical specification, as specified by the producer:**

Stove for solid fuel without production of warm water in accordance with EN 13229

**4. Name, registered trade name or registered trademark and contact address of the producer, as prescribed in article 11, subsection 5:**

Dovre N.V., Nijverheidsstraat 18, B-2381 Weelde, Belgium

**5. If applicable, name and contact address for the authorised whose mandate covers the tasks specified in article 12, subsection 2:**

-

**6. The system or systems for the evaluation and verification of the performance durability of the construction product, specified in appendix V:**

System 3

**7. If the performance declaration concerns a construction product for which a harmonised norm is issued:**

The appointed KVBG agency, registered under number 2013, has performed a type test under system 3 and has issued the test report no. H2015/0077.

**8. If the performance declaration concerns a construction product for which a European technical assessment is issued:**

-



**9. Declared performance:**

<b>The harmonised norm</b>	<b>EN 13229:2001/A2 ;2004/AC :2007</b>
<b>Essential characteristics</b>	<b>Performance Wood</b>
Fire safety	
Fire resistance	A1
Distance from combustible material	Minimum distance in mm Rear: 50 with insulation Side: 60 with insulation
Risk of glowing particles falling out	Conform
Emission of combustion products	CO: 0.09% (13%O <sub>2</sub> )
Surface temperature	Conform
Electrical safety	-
Ease of cleaning	Conform
Maximum operating pressure	-
Flue gas temperature at nominal output	251 °C
Mechanical resistance (carrying weight of chimney)	Not determined
Nominal output	14 kW
Efficiency	80%

**10. The performance of the product described in points 1 and 2 conform with the performance reported in point 9.**

**This performance declaration is supplied under the exclusive responsibility of the producer specified in point 4:**

T. Gehem



Tom Gehem  
CEO

01/08/2015 Weelde

Due to continuous product improvement, the specifications of the appliance supplied can vary from the description in this brochure without prior notice.

DOVRE N.V.















Nijverheidsstraat 18 Tel : +32 (0) 14 65 91 91


B-2381 Weelde Fax : +32 (0) 14 65 90 09

Belgium E-mail : info@dovre.be



## Safety

-  Please note: All safety regulations must be complied with strictly.
-  Please read carefully the instructions supplied with the appliance for installation, use and maintenance before using the appliance.
-  The appliance must be installed in accordance with the legislation and requirements applicable in your country.
-  All local regulations and the regulations relating to national and European standards must be observed when installing the appliance.
-  The appliance should preferably be installed by an authorised installer. Installers will be aware of the applicable regulations and requirements.
-  The appliance is designed for heating purposes. All surfaces, including the glass and connecting tube, can become very hot (over 100°C)! When operating, use a so-called "cold hand" or an oven glove.
-  Ensure that the appliance is adequately guarded if young children, disabled people, the elderly or animals are present in the vicinity.
-  Safety distances from flammable materials must be strictly adhered to.
-  Do not place any curtains, clothes, laundry or other combustible materials on or near the appliance.
-  When in use, do not use flammable or explosive substances in the vicinity of the appliance.
-  Avoid chimney fires by having the chimney swept regularly. Never burn wood with the door open.
-  In the event of a chimney fire: close all the appliance's air inlets and alert the fire service.
-  If the glass in the appliance is broken or cracked, it must be replaced before the stove is used again.
-  Do not exert force on the door, do not allow children to pull on the opened door, never stand or sit on the opened door and do not place heavy objects on the door.

-  Ensure that there is adequate ventilation in the room in which the appliance is installed. If ventilation is insufficient, combustion will be incomplete whereby toxic gases can spread through the room. See the chapter "Installation requirements" for more information on ventilation.


## Installation requirements

### General


- ▶ The appliance must be connected tightly to a well-functioning flue.
- ▶ For connection measurements: see "Technical data" appendix.
- ▶ Ask the fire service and/or your insurance company about any specific requirements and regulations.

### Flue

The flue is needed for:

- ▶ Removal of combustion gases via natural draught.
  -  As the warm air in the flue or chimney is lighter than the outside air, it rises.
- ▶ Air intake, needed for the combustion of fuel in the appliance.

A poorly functioning flue or chimney can cause smoke to escape into the room when the door is opened. Damage caused by smoke emissions into the room is not covered by the warranty.

-  Do not connect multiple appliances (such as a boiler for central heating) to the same flue, unless local or national regulations allow this. In the event of two connections ensure that the difference in height between the connections is no less than 200 mm.

Ask your installer for advice regarding the flue. Refer to the European norm EN 13384 for a correct calculation for the flue.

The flue must satisfy the following **requirements**:

- ▶ The flue or chimney must be made of fire-resistant material, preferably ceramics or stainless steel.



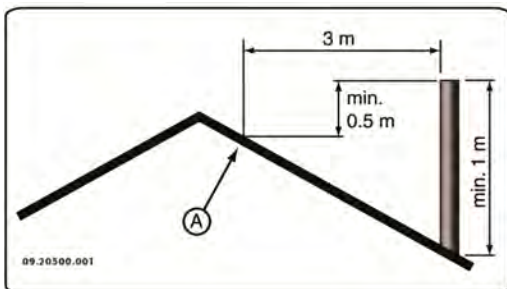
- ▶ The flue or chimney must be airtight and well cleaned and guarantee sufficient draught.

**i** A draught/vacuum of 15 - 20 Pa during normal operation is ideal.

- ▶ Starting from the flue spigot, the flue must run as vertically as possible. Changes in direction and horizontal pieces disrupt the outward flow of combustion gases and may cause soot deposits.
- ▶ To prevent combustion gases from cooling down too much, which reduces the draught, ensure that the interior diameter is not too big.
- ▶ The flue or chimney should ideally have the same diameter as the connection collar.

**i** For nominal diameter: see "Technical data" appendix. If the smoke channel is well insulated, the diameter may be slightly bigger (up to 2x the section of the connection collar).

- ▶ The section (area) of the smoke channel must be constant. Wider segments and (in particular) narrower segments disrupt the outward flow of combustion gases.
- ▶ In fitting a cover plate/exhaust cap to the flue: make sure that the cover does not restrict the flue outlet and that the cap does not impede the outward flow of combustion gases.
- ▶ The flue must end in a zone that is not affected by surrounding buildings, trees or other obstacles.
- ▶ The flue outside the house must be insulated.
- ▶ The flue should be at least 4 metres high.
- ▶ As a rule of thumb: 60 cm above the ridge of the roof.
- ▶ If the ridge of the roof is more than 3 metres from the flue: use the measurements given in the following figure. A = the highest point of the roof within a distance of 3 metres.



## Room ventilation

For good combustion, the appliance needs air (oxygen). This air is supplied via adjustable air inlets from the area in which the appliance is installed.

- ⚠ If ventilation is insufficient, combustion will be incomplete, which may lead toxic gases to spread through the room.

As a rule of thumb, the air supply should be 5.5 cm<sup>2</sup>/kW. Extra ventilation is needed when:

- ▶ The appliance is in a well-insulated area.
- ▶ There is mechanical ventilation, for example a central extraction system or an extraction hood in an open kitchen.

You can provide extra ventilation by having a ventilation louvre fitted on the outside wall.

Make sure that other air consuming appliances (such as tumble-driers, other heating appliances or a bathroom fan) have their own supply of outside air, or are switched off when you use the appliance.

- i** You can also connect the appliance to an outside air supply. A connection kit is supplied for this purpose. This makes additional ventilation unnecessary.

## Floor and walls

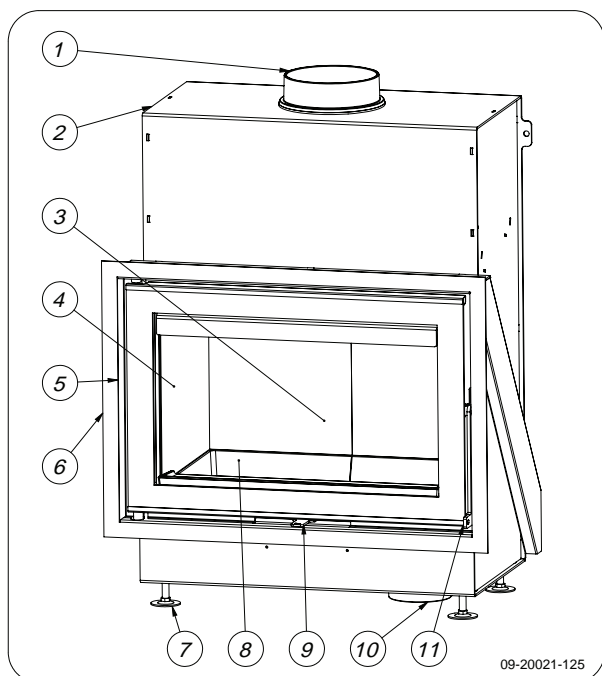
The floor on which the appliance is placed must have sufficient bearing capacity. The weight of the appliance is given in the appendix "Technical Data appendix".

- ⚠ Protect flammable flooring from heat radiation by means of a fireproof protective plate. See the appendix "Distance from combustible material".
- ⚠ Remove combustible material such as linoleum, carpets/rugs and similar materials below the fireproof protective plate.
- ⚠ Keep sufficient distance between the appliance and combustible materials such as wooden walls and furniture.
- ⚠ The connecting tube also radiates heat. Ensure that there is sufficient distance or a shield between the connecting tube and

combustible material. The rule of thumb for a single-walled tube is a distance of 3x the diameter. If a lining shell is fitted around the tube, a distance of 1x the diameter is permissible.

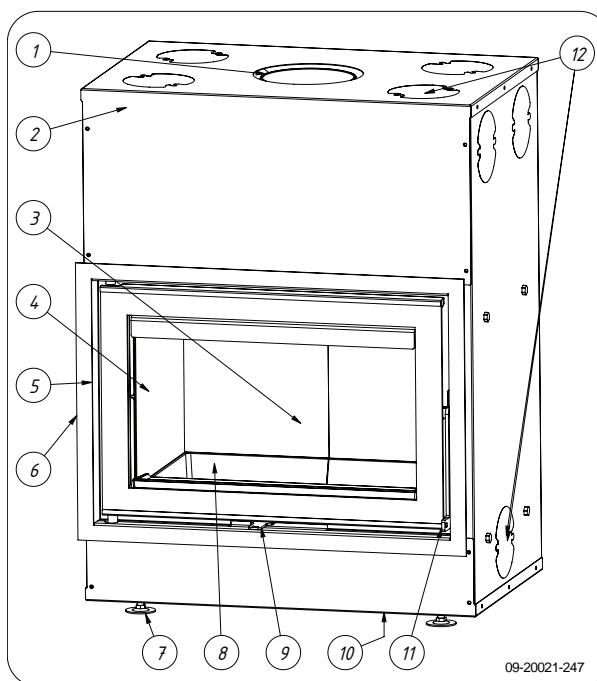
-  Carpets and rugs must be at least 80 cm away from the fire.
-  Use a fireproof floor plate to protect a flammable floor from any ash that may fall in front of the stove. The floor plate must comply with national standards.
-  For the dimensions of the fireproof protective plate: see the appendix "Distance from combustible material".
-  For further requirements with respect to fire safety, see the appendix "Distance from combustible material".

## Product description VISTA



1. Connection collar
2. Smoke dome
3. Door
4. Inner plates
5. Door frame
6. Finishing cover
7. Adjustable feet
8. Bottom of the fire compartment
9. Air slide
10. Connection to outside air
11. Latch


## Product description VISTA C



1. Connection collar
2. Convection casing
3. Door
4. Inner plates
5. Door frame
6. Finishing cover
7. Adjustable feet
8. Bottom of the fire compartment
9. Air slide
10. Connection to outside air
11. Latch

## Installation

### General preparation

- ▶ Please check the appliance immediately after delivery for damage during transport or any other damage or defects. The appliance is attached to the pallet with screws at the bottom.
-  If you detect transport damage or any other damage or defects, do not use the appliance and notify the supplier.
- ▶ Remove the detachable parts from the appliance before you begin its installation.

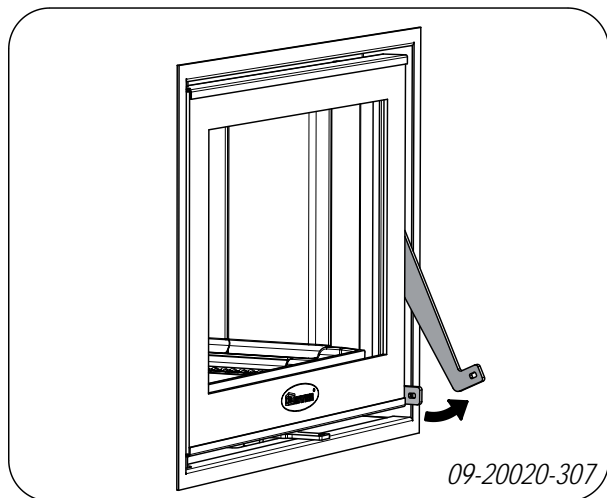


**i** It is easier to move the appliance and to avoid damage if the removable parts have been removed.

**!** Note the location of the removable parts, so that you can re-position the parts in the correct place later on.

### Open door

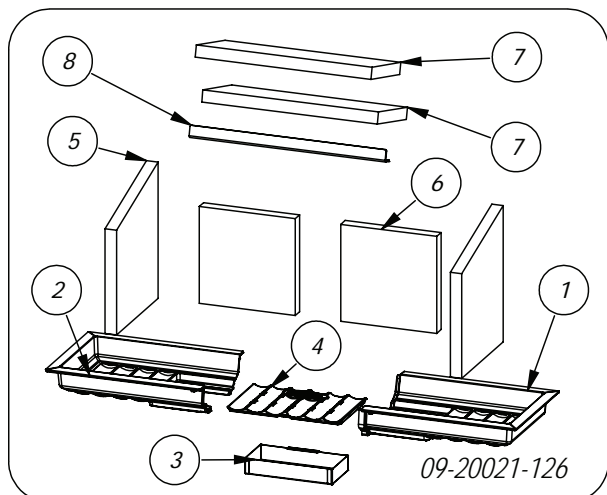
Open the door by pulling the handle forward and unlocking the door; see next figure.



**i** As the latch button becomes warm during use of the appliance, a glove has been supplied which you can use to protect your hand.

### Remove fire-resistant inner plates

**i** Vermiculite inner plates are light and tend to be ochrous in colour on delivery. They insulate the combustion chamber to boost combustion.

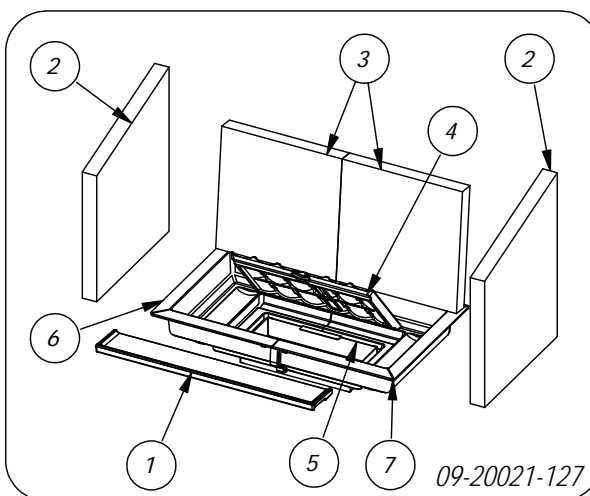


Pos.	Description
1	inner plate front left
2	inner plate left rear
3	inner plate at rear
4	inner plate front right
5	inner plate left and right
6	inner plate rear
7	baffle plate
8	baffle plate holder

To remove the inner plates, follow the instructions below; see previous figure.

1. First remove the bottom baffle plate (7) by lifting it and removing the baffle plate holder (8). Remove both baffle plates (7).
2. Remove the inner plates left and right (5).
3. Remove the rear inner plates (6).

### Remove stove base



Pos.	Description
1	fire basket
2	inner plate front and rear
3	air guide
4	central fire compartment base with primary vents
5	ashtray
6	left-hand bottom of the fire compartment
7	right-hand bottom of the fire compartment

To remove the inner plates and the stove base, follow the instructions below; see previous figure.

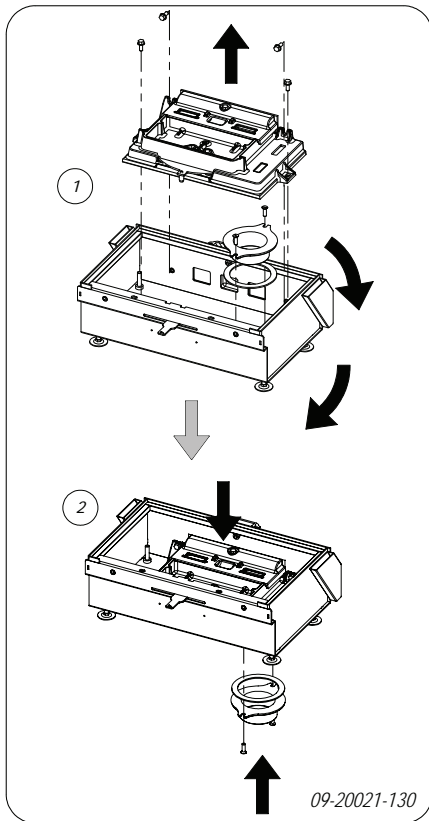
1. Remove the fire basket (1).
2. Remove the central fire compartment base (4).
3. Remove the ashtray (5).




4. Remove the left fire compartment base (6).
5. Remove the right fire compartment base (7).


## Prepare connection to outside air

If the appliance is installed in a room with insufficient ventilation, you can install the outside air connecting kit to the appliance.



The outside air collar can be assembled on the outside depending on how the fireplace is built in, see position 2 in the figure above. If the method of building in and the connection of the outside air requires the outside air collar to be assembled through the inside, first remove the inner plates and the fire compartment base. Then remove the air distribution housing, see position 1 in the figure above. Disassemble the connecting collar for the outside air, connect it airtight to the flexible hose for the outside air, assemble the connecting collar through the inside of the appliance and assemble the air distribution housing.

 Make sure that the seals are not damaged. If they are damaged the seals must be replaced.

 Make sure that the air distribution housing is connected airtight and that the working of the air slide valve is not impeded.

The air supply tube is 100 mm in diameter. If the tube is smooth, it may be no longer than 12 metres. If accessories such as bends are used, the maximum length (12 m) must be reduced by 1 m for each accessory used.

### ***Outside air intake duct through the wall or the floor and the connection collar***

1. Make a hole in the wall or the floor (refer to Appendix 2, "Dimensions" for a suitable position of the hole).
2. Close the air connection tube hermetically on the wall.

### **Building into a new hearth**

The fireplace insert is installed in two stages:

- ▶ Placing and connecting the fireplace
- ▶ Building up the hearth around the fireplace.

### ***Placing and connecting the fireplace insert***

1. Place the appliance at the right height, flat and level.
2. Make sure there is sufficient space between the existing walls (insulated as per instructions) and the rear of the appliance.
3. Connect the appliance to the flue hermetically.
4. Check the draught in the flue and the seal of the connection on the flue gas duct by making a small, intense trial fire with newspaper and dry, small kindling.

 Wait until new masonry has dried sufficiently.

5. For outside air supply connection: connect the outside air supply to the connection kit you fitted to the appliance.

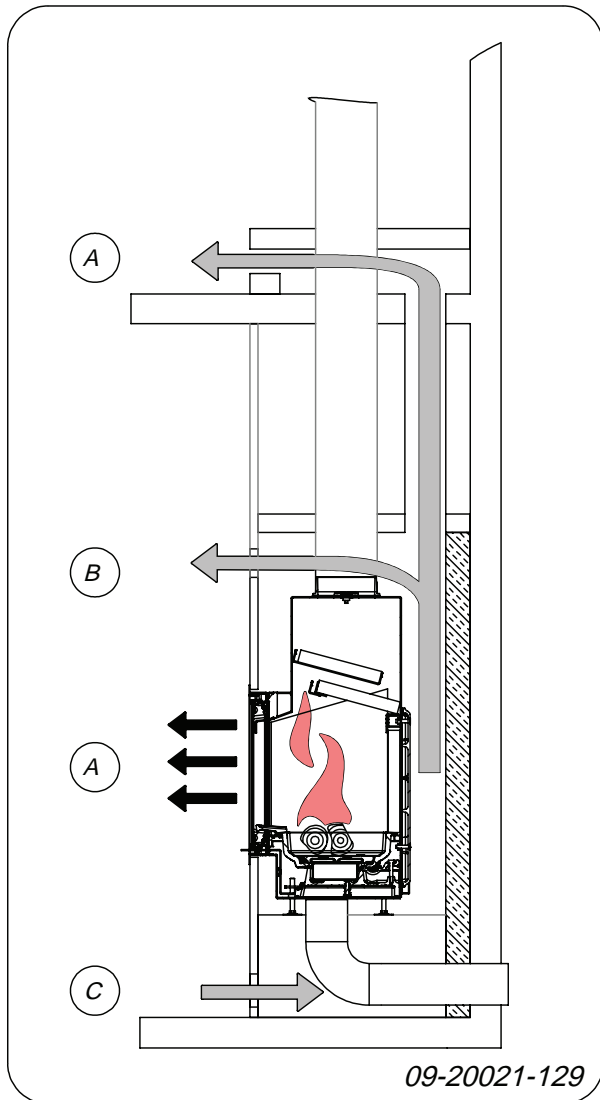
### ***Building the fireplace (VISTA without convection casing)***

Inside the hearth you provide space for convection. In this space the air must be able to move freely. It must





be possible for air to be drawn in for combustion purposes, and the air heated by the built-in fireplace (the convection air) must be able to flow freely within the space to be heated; see following figure.



- A Convection air current
- B Radiated heat
- C Air supply from the room to be heated

**When building the hearth, follow these instructions for the convection space:**

- ▶ The top of the convection space must be closed airtight using a cover plate of non-flammable and heat-resistant material.
- ▶ The cover plate must be level and placed at least 600 mm below the flue opening in the ceiling.
- ▶ Air inlet grates must be fitted at the bottom of the

hearth to allow for ambient air intake. The minimum air inlet opening is 500 cm<sup>2</sup>. If the space is not sufficiently ventilated, you must provide for outside air to be allowed in by means of the outside air connection kit or an optional adjustable damper.

- ▶ Air outlet grates must be installed at the top of the hearth just below the cover plate. The minimum air outlet opening is 600 cm<sup>2</sup>.

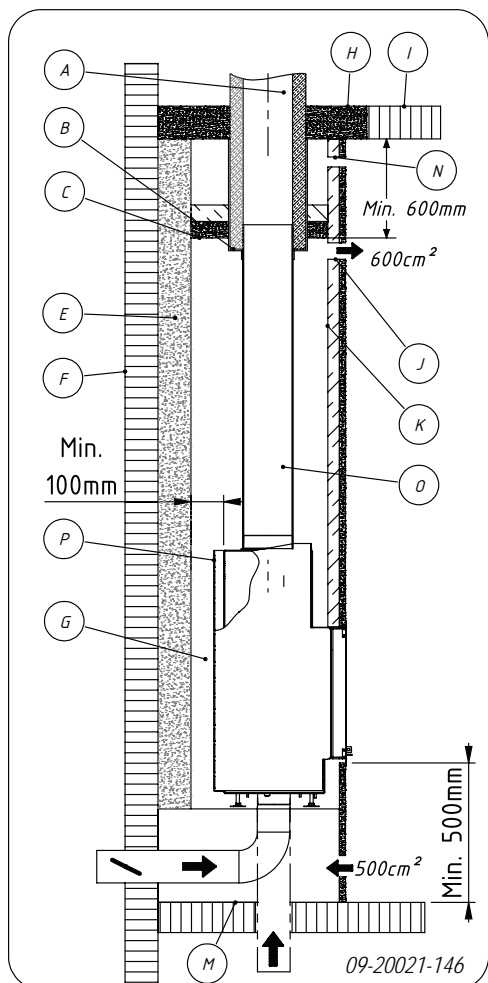
**i** The inlet and outlet grates are available as options.

**!** Do not use combustible material in the convection space, and avoid the effect of thermal bridging when using materials that conduct heat.

**Follow the instruction below when building the hearth:**

1. Build the base of the hearth and fit the air inlet grates into the masonry.
  - !** You can place the air inlet grates on all sides of the base.
  - !** Make sure the door of the appliance can swing freely over the hearth floor.
2. Build the hearth up to the smoke dome.
  - !** Ensure that a clearance of 2 mm is maintained between the built-in fireplace and the masonry to accommodate the thermal expansion of the fireplace.
3. The inside of the convection space may, if desired, be clad with reflective, insulating material.
  - i** Additional cladding of the convection space prevents unnecessary thermal radiation towards outer walls and/or adjacent rooms. It also prevents damage to the hearth wall insulation.
4. Build the rest of the hearth up to the flue opening hole in the ceiling.
  - !** The masonry should not rest on the fireplace. Use a support such as a steel beam. Leave a clearance of at least 3 mm between the support and the appliance.
5. Close the convection space with the cover plate.
6. Put the air outlet grates under the cover plate.
7. Make an opening above the cover plate in order to prevent any pressure build-up.

The following figure depicts an example of the placement of a built-in fireplace in a hearth that has been constructed according to the above instructions and requirements.



- A Flue
- B Seal
- C Cover plate
- D Insulation 10 cm
- E Fireproof wall, min 10cm (e.g. cellular concrete)
- F Combustible wall
- G Convection space
- H Fireproof ceiling
- I Combustible ceiling
- J Convection air outlet
- K Insulation
- M Combustible floor
- N Opening to prevent pressure build-up
- O Connection pipe

## ***Building the fireplace (VISTA with convection casing)***

The fireplace insert is installed in two stages:

- ▶ Placing and connecting the built-in fireplace.
- ▶ Building up the hearth around the fireplace.

### ***Placing and connecting the fireplace insert***

1. Place the appliance at the proper height, flat and level.
2. Check that there is at least 15 mm of free convection space between the existing walls – which must have the necessary insulation – and the back of the appliance.
3. The masonry should not rest on the fireplace. If required, use a support such as a steel beam. Leave a clearance of at least 3 mm between the support and the appliance.
4. Connect the stove to the flue hermetically.
5. Check the draught in the flue and the seal of the connection on the flue gas duct by making a small, intense trial fire with newspaper and dry, small kindling.
6. For outside air supply connection: connect the outside air supply to the connection kit you fitted to the appliance.



Wait until new masonry has dried sufficiently.

### ***Tapping convection air***

The appliance is equipped with additional connections in order to transport convection heat to other areas. There must be air grilles in these areas. If you wish to make use of this function, proceed as follows:

1. Remove the two push-out plates on top of the convection box by tapping them loose with a hammer.
2. Fit the two connection collars supplied with a diameter of 125 mm on the resulting openings using the M8x16 screws and M8 bolts supplied.
3. Connect flexible tubing with a diameter of 125 mm and route them to the desired areas.
4. Connect the flexible tubing to the outlet grates in the rooms.

### ***Building the new hearth***


Inside the hearth you provide space for convection. In this space the air must be able to move freely. It must







be possible for air to be drawn in for combustion purposes, and the air heated by the fireplace (the convection air) must be able to flow freely within the space to be heated; see following figure.

**When building the hearth, follow these instructions:**

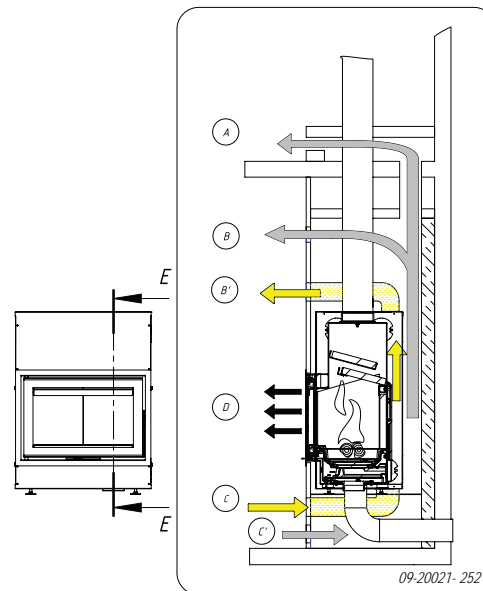
- ▶ The top of the hearth must be closed airtight using a cover plate of incombustible and heat-resistant material.
- ▶ The cover plate must be level and placed at least 30 cm below the flue opening in the ceiling.
- ▶ If desired, an additional outlet grate can be fitted at the top of the hearth, just below the cover plate.

 Do not use combustible material in the hearth space and prevent thermal bridging by using materials that conduct heat.

**Follow the instruction below when building the hearth:**

1. Lay the floor of the hearth.
  -  Make sure the door of the appliance can swing freely over the hearth floor.
2. Build the hearth up to the smoke dome.
  -  Ensure that a clearance of 2 mm is maintained between the appliance and the masonry to accommodate the thermal expansion of the fireplace.
3. The inside of the hearth may, if desired, be clad with reflective, insulating material.
  -  Additional cladding of the built-in space prevents unnecessary thermal radiation to outer walls and/or adjacent rooms. It also prevents damage to the hearth wall insulation.
4. Build the rest of the hearth up to the flue opening hole in the ceiling.
  -  The masonry should not rest on the fireplace. Use a support such as a steel beam. Leave a clearance of at least 3 mm between the support and the appliance.
5. Close the built-in space with the cover plate.
6. Put an air grate below the cover plate to allow for the ventilation of the appliance.
7. Make an opening above the cover plate in order to prevent any pressure build-up.

The following figure depicts an example of the placement of a built-in fireplace in a hearth and the air flows

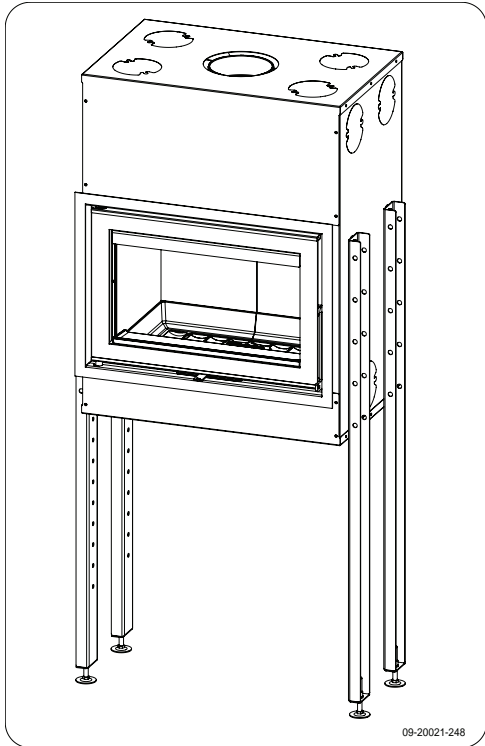


SECTION E-E

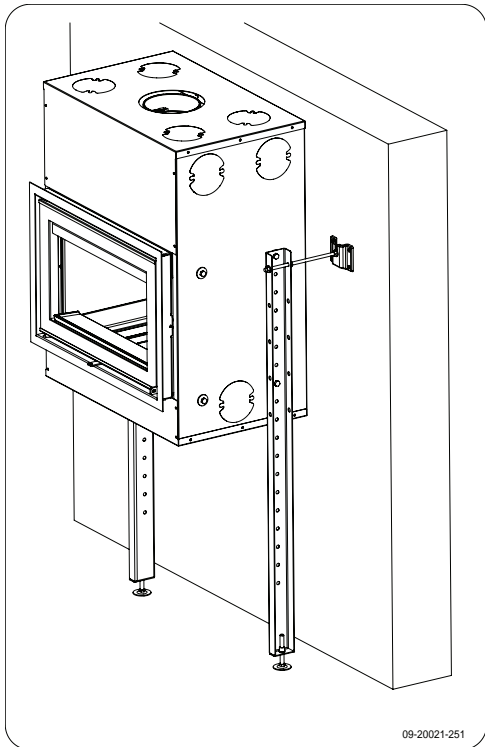
- A Opening to prevent pressure build-up in the hearth
- B Convection air opening
- B' Convection air opening via flexible tube
- C Convection air supply
- C' Convection air supply via flexible tube
- D Radiation

**Optional set of feet**

To simplify the installation of the VISTA C, the optional set of adjustable feet (01.91679) can be used.

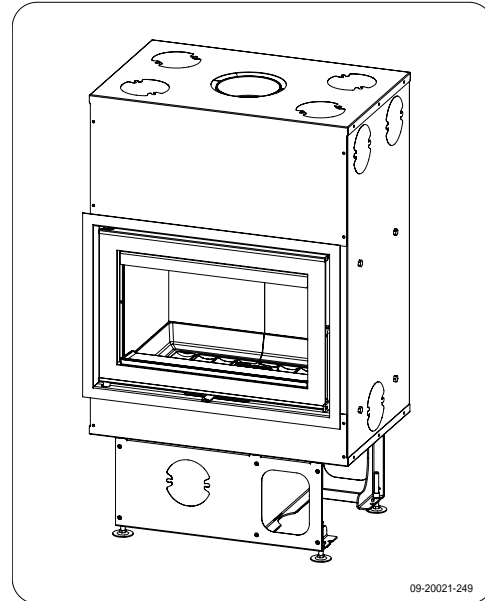


For an extra sturdy or alternative placement, the hearth can be anchored to the wall using this set.



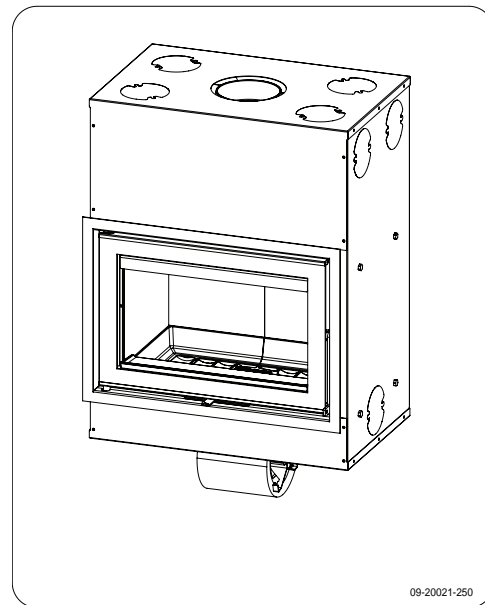
### **Optional ventilator box**

Optionally, the ventilator box (01.91724) can be fitted. This box also serves as a base on which to place the appliance.



### **Optional ventilator**

A 400m<sup>3</sup>/h centrifugal ventilator set (01.91680) can be fitted under the convection casing.

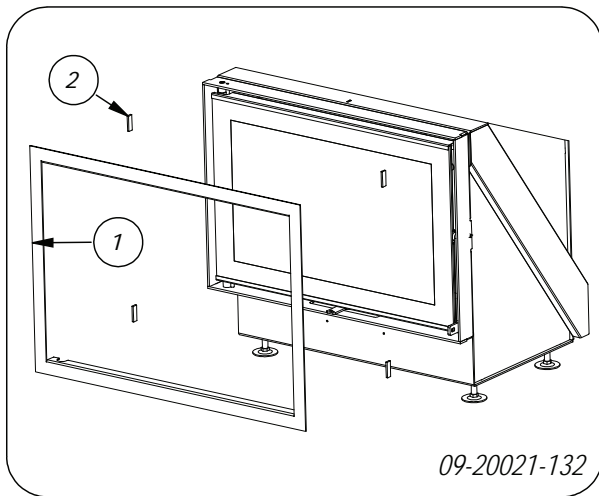


This ventilator can also be fitted in the ventilator box to draw in convection air from the area using flexible connections.

### **Place finishing cover**

1. Place the four supplied magnets (2) on the side of the frame; see following figure.






- Slide the supplied cover (1) into the frame.

## Finishing

- Re-position all removed parts in the correct places in the appliance.
- Ensure that the newly built hearth is sufficiently dry before you start to use the appliance.

 Never use the appliance without the fire-resistant inner plates.

The appliance is now ready for use.

## Use

### First use

When you use the appliance for the first time, make an intense fire and keep it going for a good few hours. This will cure the heat-resistant paint finish. This may result in some smoke and odours. You could open windows and doors for a while in the area in which the appliance is located.

### Fuel

This appliance is only suitable for burning natural wood, namely sawn and chopped wood that is sufficiently dry.

Do not use other fuels, as they can cause serious damage to the appliance.

The following fuels may not be used as they pollute the environment, and because they heavily pollute the appliance and flue, which may lead to a chimney fire:

- ▶ Treated wood, such as scrap wood, painted wood, impregnated wood, preserved wood, plywood and chipboard.
- ▶ Plastics, scrap paper and domestic waste.

## Wood

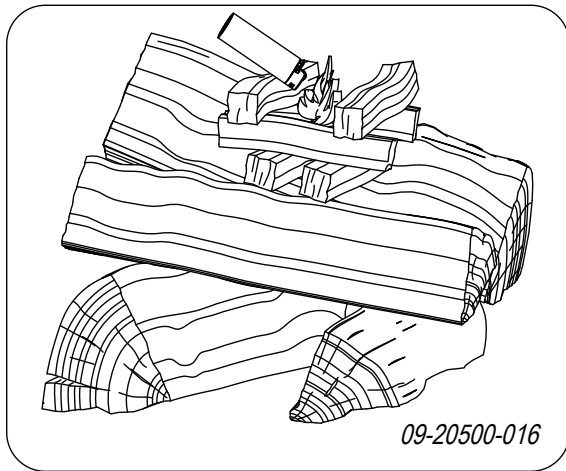
- ▶ Hardwood, such as oak, beech, birch and fruit tree wood is the ideal fuel for your stove. This type of wood burns slowly with calm flames. Softwood contains more resins, burns faster and sparks more.
- ▶ Use seasoned wood that contains no more than 20% moisture. The wood should have been seasoned for at least 2 years. Wood with a moisture content of 20% provides 4.2 kWh per kg wood. Wood with a moisture content of 15% provides 4.4 kWh per kg wood. Freshly felled wood has a moisture content of 60% and only provides 1.6 kWh per kg wood.
- ▶ Saw the wood to size and split it while it is still fresh. Fresh wood is easier to split, and split wood dries more easily. Store the wood under a roof where the wind has free access.
- ▶ Do not use damp wood. Damp logs do not produce heat as all the energy is used in the evaporation of moisture. This will result in a lot of smoke and soot deposits on the appliance door and in the flue. The water vapour will condense in the appliance and can leak away through chinks in the stove, causing black stains on the floor. It may also condense in the chimney and form creosote. Creosote is a highly flammable compound and may cause a chimney fire.

## Lighting

You can check whether the flue has sufficient draught by lighting a ball of paper above the baffle plate. A cold flue often has insufficient draught and consequently, some smoke may escape into the room instead of up the chimney. You can avoid this problem by lighting the fire as described below.

- Stack two layers of medium sized logs crosswise.
- Stack two to three layers of kindling crosswise on top of the logs.
- Place a firelighter between the bottom layer of kindling and light the firelighter according to the instructions on the packaging.





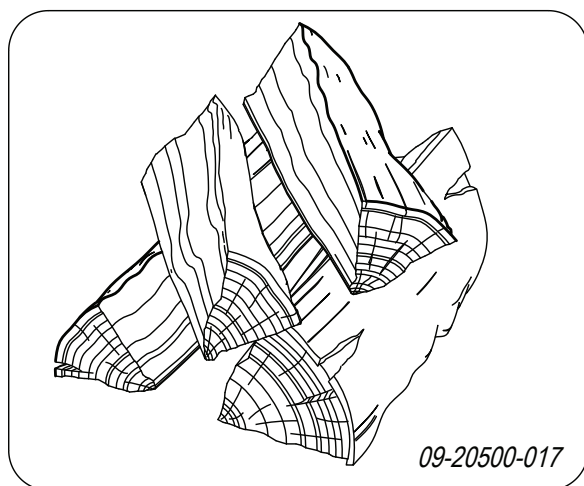
4. Close the appliance door and completely open the air slider in the door.
5. Allow the fire develop into a good blaze until there is glowing bed of charcoal. You can then add fuel and adjust the appliance, see the chapter "Stoking with wood".

## Burning wood

After you have followed the instructions for lighting:

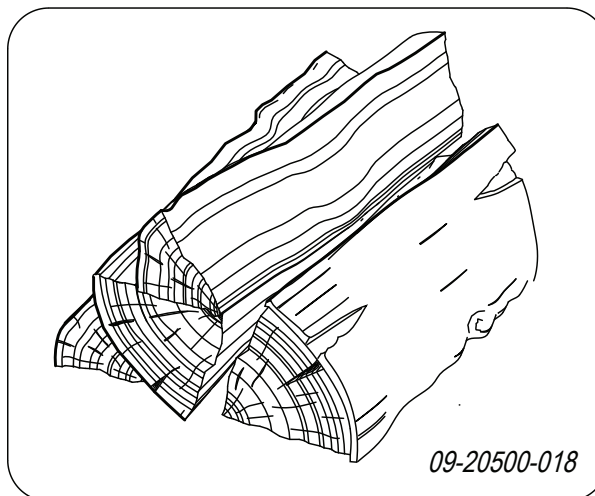
1. Slowly open the door of the appliance.
2. Spread the charcoal evenly across the bottom of the stove base.
3. Stack a few logs on the charcoal.

### Open stacking



If the logs are stacked openly, the wood will burn quickly as the oxygen can reach each log easily. If you want to use the stove for a short while, make an open stack.

### Compact stacking



If the logs are stacked tightly, the wood will burn more slowly as the oxygen can only reach some logs easily. If you want to burn wood for a longer period, make a compact stack.

4. Close the door of the appliance.
5. Close the primary air inlet and leave the secondary air inlet open.

## Maximum amount of wood

To stoke continuously at the rated power, wood must be added every 45 minutes. If you use a smaller amount of wood each time, you can add wood more often. Each stove is designed to work with a specific maximum amount of wood. If you use a larger quantity of wood, the heat output increases: As a result the appliance can become overloaded and parts can be damaged.

Permitted maximum quantity of fuel for wood with a moisture percentage of 15%:

VISTA 600 8 kW has maximum filling of 1.8 kg wood per 45 minutes.

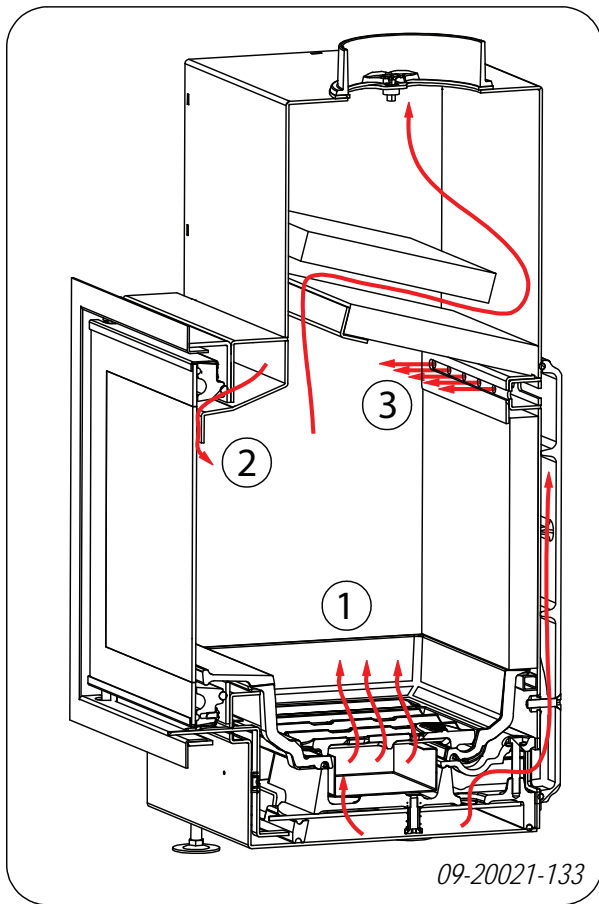
VISTA 700 10 kW has maximum filling of 2.1 kg wood per 45 minutes.

VISTA 800 12 kW has maximum filling of 2.6 kg wood per 45 minutes.

VISTA 900 14 kW has maximum filling of 3.1 kg wood per 45 minutes.

## Controlling combustion air

The appliance has various features for air control; see next figure.

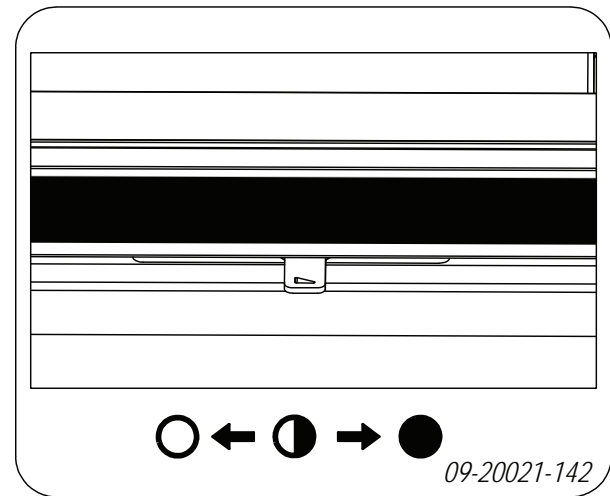


The primary air inlet regulates the air under the stove base (1).

The secondary air inlet regulates the air for the glass (air wash) (2).

The secondary air inlet has vents (3) above the grate that allow for afterburning.

The appliance has one air control system that regulates both the primary air and the secondary air inlet. If the air control is fully to the left, the primary and the secondary air inlet is open. As the air slide is pushed more to the right, this closes off the primary air inlet and then the secondary air inlet. If the air slide is completely closed, a small air vent remains open to allow for the afterburning; see following figure.



#### Position Description

- Primary air open (when lighting the stove)  
Secondary air open (afterburning)  
Glass airwash open
- ◐ Secondary air open (afterburning)  
Glass airwash open
- Secondary air inlet slightly open (afterburning)

#### Advice

- ⚠ Never burn wood with an open door.
- ⚠ Regularly burn wood with intense roaring fires.

If you burn at a low setting frequently, tar and creosote may be deposited in the flue. Tar and creosote are highly combustible substances. Thicker layers of these substances may catch fire if the temperature in the flue increases suddenly. By allowing the fire to burn very intensely regularly, layers of tar and creosote will disappear.

Low intensity fires can also cause tar deposits on the stove window and door.

When the outside temperature is mild, it is better to burn wood intensely for a few hours instead of having a low intensity fire for a long period of time.

- ▶ Control the air supply using the air vent.





The air inlet not only supplies air to the fire but to the glass as well, so that it does not quickly become dirty.

- ▶ Open the primary air inlet for the time being if the air supply by the secondary air inlet is inadequate or if you want to fan the fire.
- ▶ Topping up with a few logs regularly is better than adding many logs in one go.

## Extinguishing the fire

Do not add fuel and just let the fire go out. If a fire is damped down by reducing the air supply, harmful substances will be released. For this reason, the fire should be allowed to go out naturally. Keep an eye on the fire until it has gone out. All air inlets can be closed once the fire has died completely.

## Removing ash

After wood has been burnt, a relatively small amount of ash remains. This ash bed is a good insulating layer for the stove base plate and improves combustion. It is a good idea to leave a thin layer of ash on the stove base plate.

The flow of air through the stove base plate must not be obstructed. Remove the excess ash regularly.

1. Open the door of the appliance.
2. Scoop the excess ash from the appliance or use a special ash vacuum cleaner to remove the excess ash.



Always use an ash vacuum cleaner; using an ordinary vacuum cleaner that has not been specially modified can cause serious damage to an ordinary vacuum cleaner.

3. Close the door of the appliance.

## Fog and mist

Fog and mist hinder the flow of flue gases through the flue. Smoke can blow back and cause a stench. If it is not strictly necessary, it is better not to use the stove in foggy and misty weather.

## Resolving problems

Refer to the appendix "Diagnostic diagram" to resolve any problems in using the appliance.

## Maintenance

Follow the maintenance instructions in this chapter to keep the appliance in good condition.

### Flue

In many countries, you are required by law to have your chimney checked and maintained.

- ▶ At the start of the heating season: have the chimney swept by a recognised chimney sweep.
- ▶ During the heating season and after the chimney has not been used for a long time: have the chimney checked for soot.
- ▶ At the end of the heating season: close off the chimney and plug with newspaper.

## Cleaning and other regularly maintenance



Do not clean the appliance when it is still warm.

- ▶ Clean the exterior of the appliance with a dry lint-free cloth.

You can clean the appliance interior thoroughly at the end of the heating season:

- ▶ If necessary, first remove the fire-resistant inner plates. See the chapter "Installation" for instructions on removing and installing the inner plates.
- ▶ If necessary, clean the air supply ducts.
- ▶ Remove the baffle plate at the top of the appliance and clean it.

## Checking fire-resistant inner plates

The fire-resistant inner plates are consumables that are subject to wear and tear. Vermiculite inner plates are fragile. Do not knock the inner plates with logs. Check the fire-resistant inner plates frequently and replace them when necessary.

- ▶ See the chapter "Installation" for instructions on removing and installing the inner plates.



The insulating vermiculite or chamotte inner plates may develop hairline cracks, but this does not affect their performance adversely.





**i** Cast-iron inner plates last a long time if you remove frequently the ash that can accumulate behind them. If accumulated ash behind the cast-iron plate is not removed, the plate will no longer be able to dissipate the heat to the surroundings and this may cause the plate to warp or crack.

**!** Never use the appliance without the fire-resistant inner plates.

## Cleaning the glass

Dirt clings less easily to well-cleaned glass. Proceed as follows:

1. Remove dust and loose soot with a dry cloth.
2. Clean the glass with stove glass cleaner:
  - a. Apply stove glass cleaner to a kitchen sponge, rub down the entire glass surface and give the cleaning agent time to react.
  - b. Remove the dirt with a moist cloth or kitchen tissue.
3. Clean the glass again with a normal glass cleaning product.
4. Rub the glass clean with a dry cloth or kitchen tissue.

► Do not use abrasive or aggressive products to clean the glass.

► Wear household gloves to protect your hands.

**!** If the glass in the appliance is broken or cracked, it must be replaced before you can use appliance again.

**!** Ensure that no stove glass cleaner runs between the glass and the cast-iron door.

## Lubrication

Although cast-iron is slightly self-lubricating, you will still need to lubricate moving parts frequently.

► Lubricate the moving parts (such as guide systems, hinge pins, latches and air slides) with heat-resistant grease that is available in the specialist trade.

## Touching-up the paint finish

Small areas of damaged paint finish can be touched-up with a spray can of special heat-resistant paint, available from your supplier.

## Checking the seal

► Check whether the door sealing rope is still in good condition and works well. The sealing rope is subject to wear and will need to be replaced over time.

► Check the appliance for air leaks. Close any chinks with stove sealant.

**!** Allow the sealant to harden fully before lighting the appliance, as any moisture in the sealant will form bubbles, resulting in a new air leak.

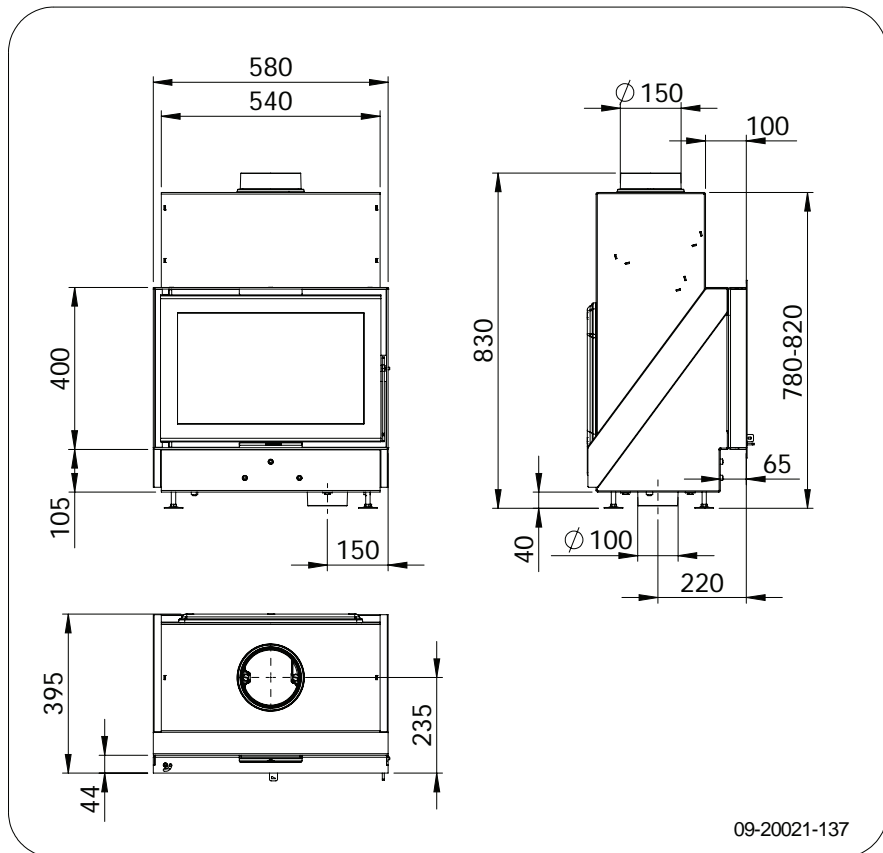
## Appendix 1: Technical data

Model	VISTA 600(C)	VISTA 700(C)	VISTA 800(C)	VISTA 900(C)
Nominal output	8 kW	10 kW	12 kW	14 kW
Flue connection (diameter)	150 mm	150 mm	200 mm	200 mm
Weight	95 kg	105 kg	115 kg	125 kg
Recommended fuel	Wood	Wood	Wood	Wood
Fuel property, max. length	40 cm	50 cm	60 cm	60 cm
Mass flow of flue gasses	7.7 g/s	6.8 g/s	9.2 g/s	10.4 g/s
Flue gas temperature measured in the measurement section	212 °C	241 °C	210 °C	251 °C
Temperature measured at appliance exit	287 °C	315 °C	258 °C	329 °C
Minimum draught	12 Pa	12 Pa	12 Pa	12 Pa
CO emission (13%O <sub>2</sub> )	0.08 %	0.10 %	0.09 %	0.09 %
NOx emission (13% O <sub>2</sub> )	93 mg/Nm <sup>3</sup>	88 mg/Nm <sup>3</sup>	75 mg/Nm <sup>3</sup>	69 mg/Nm <sup>3</sup>
CnHm emission (13%O <sub>2</sub> )	74 mg/Nm <sup>3</sup>	101 mg/Nm <sup>3</sup>	111 mg/Nm <sup>3</sup>	118 mg/Nm <sup>3</sup>
Particulate emission	24 mg/Nm <sup>3</sup>	24 mg/Nm <sup>3</sup>	28 mg/Nm <sup>3</sup>	39 mg/Nm <sup>3</sup>
Particulate emission in accordance with NS3058-NS3059	-- g/kg	-- g/kg	-- g/kg	-- g/kg
Efficiency	80 %	83 %	82.5%	80 %

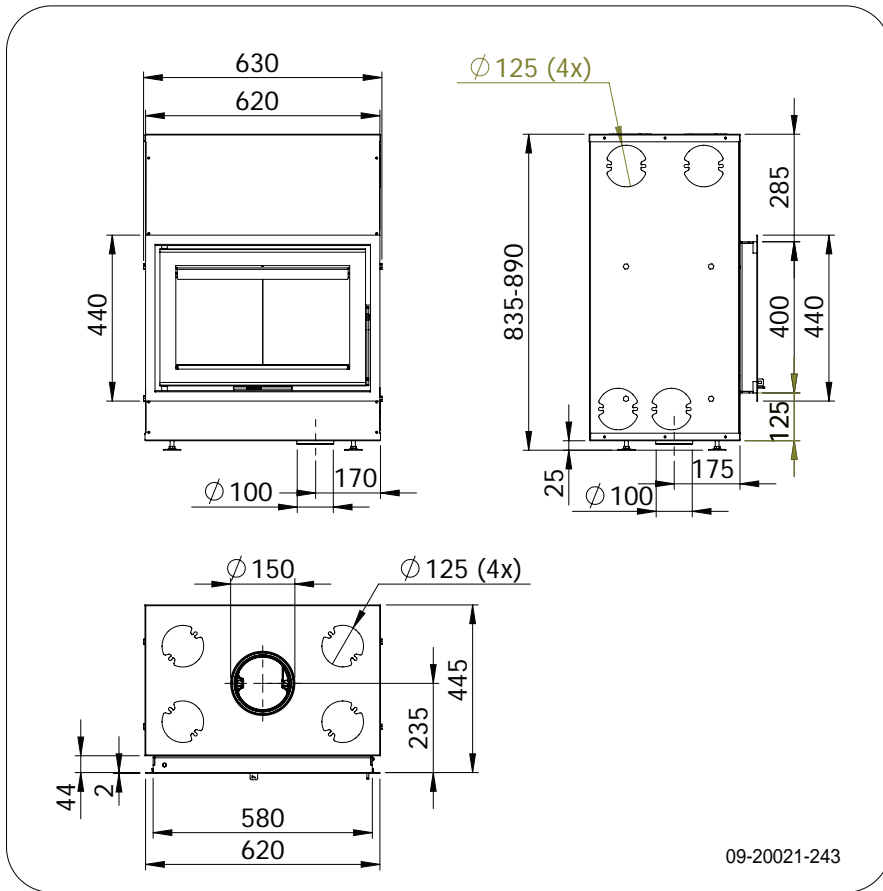


## Appendix 2: Dimensions

### VISTA 600



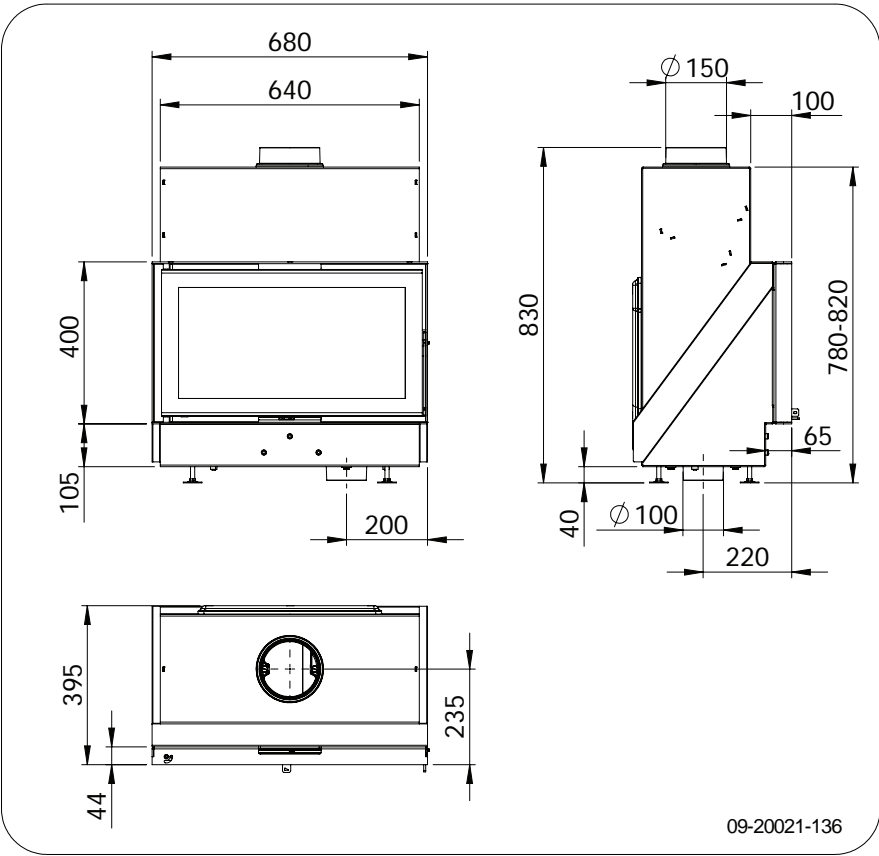
# VISTA 600C



09-20021-243



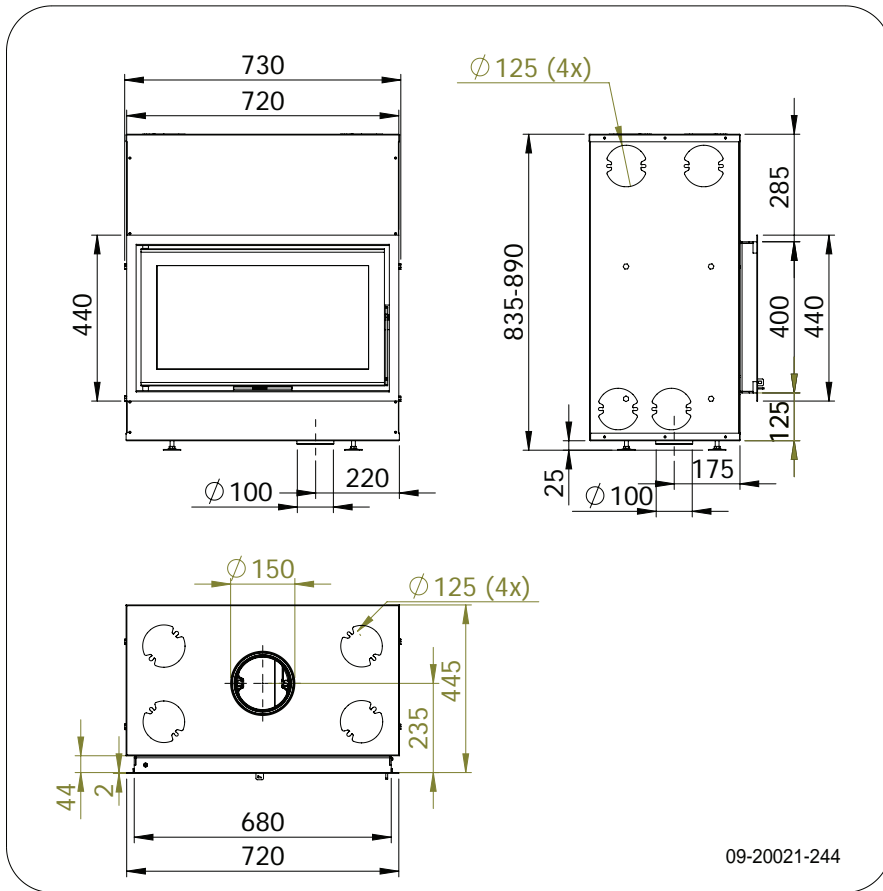
# VISTA 700



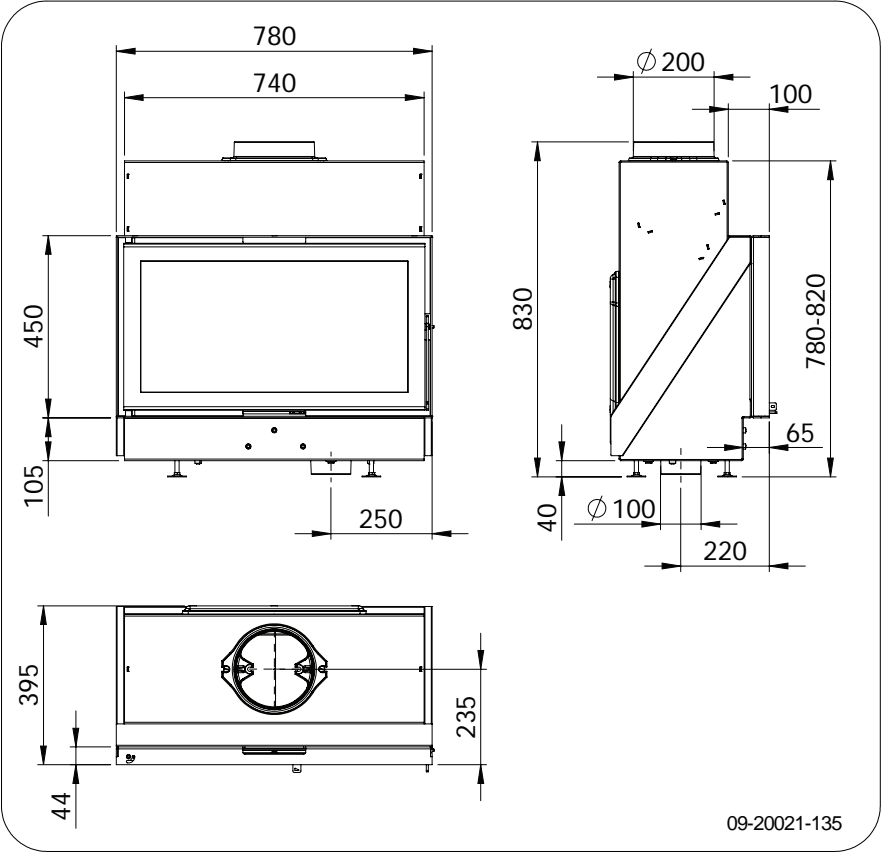
English



# VISTA 700C



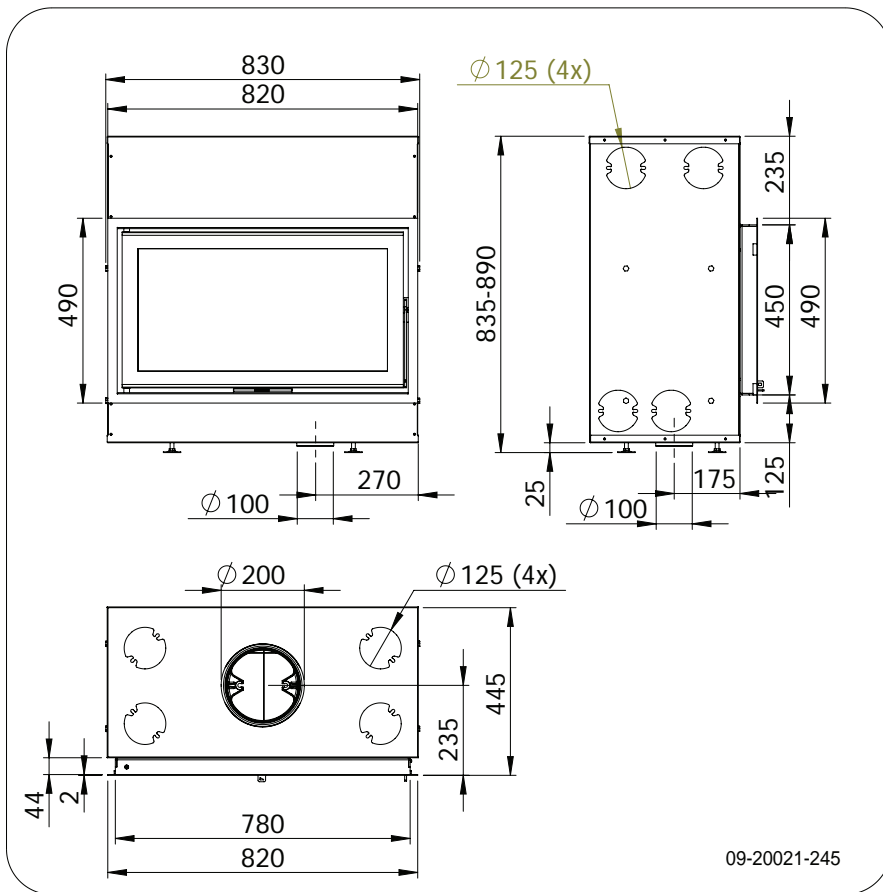
# VISTA 800



English

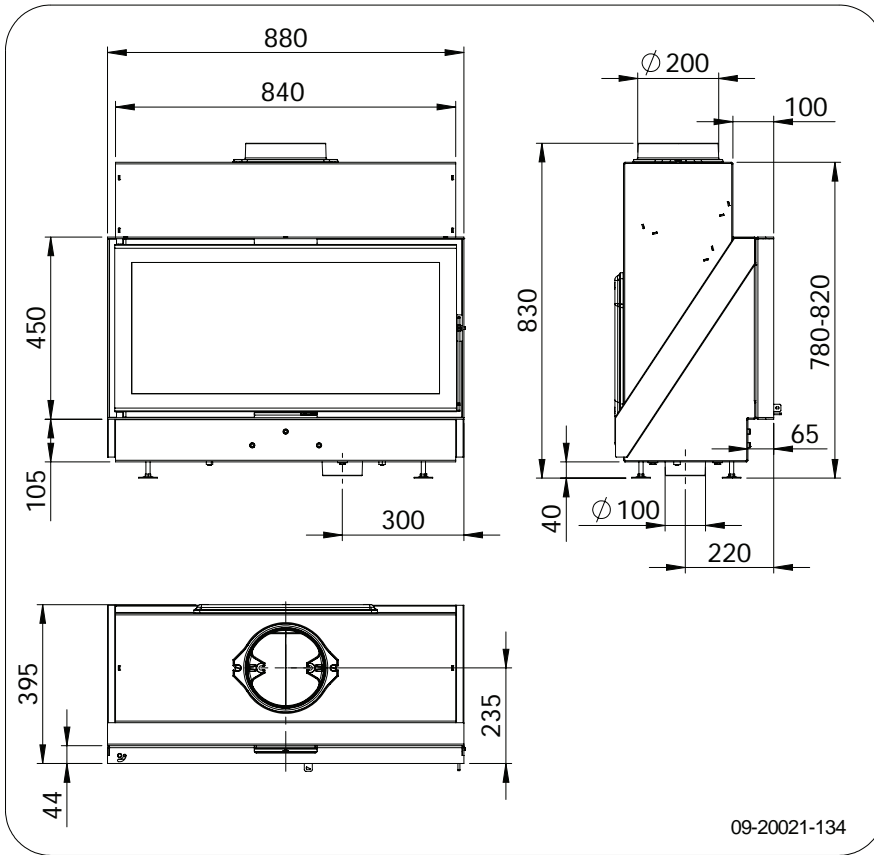


# VISTA 800C





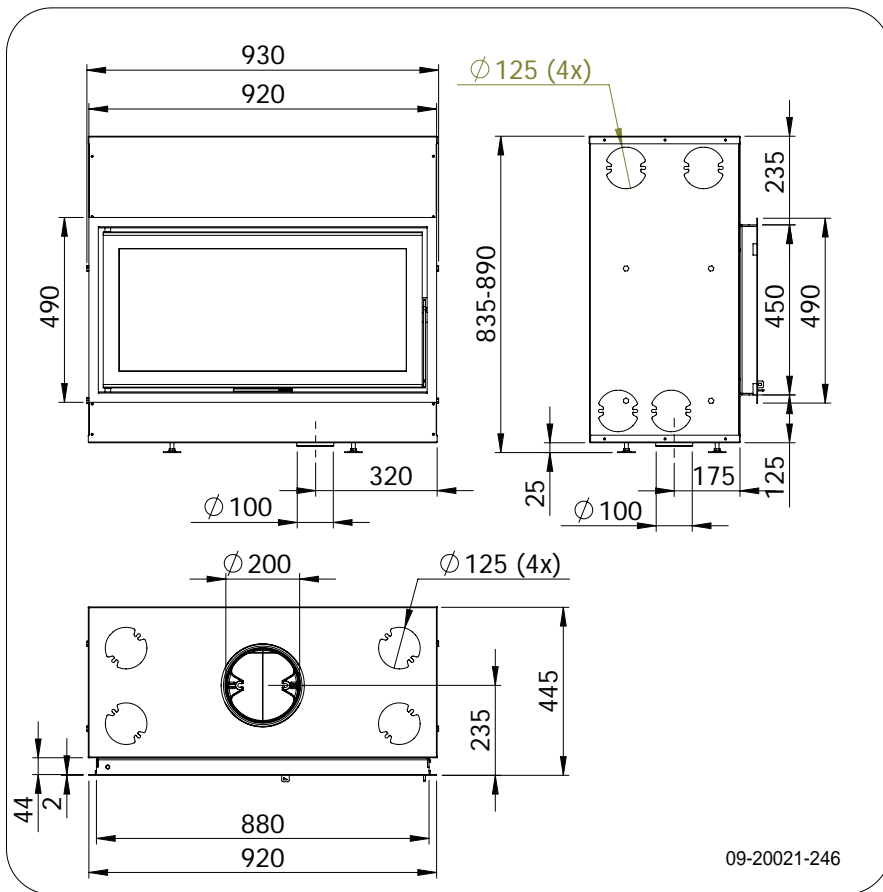
# VISTA 900



English

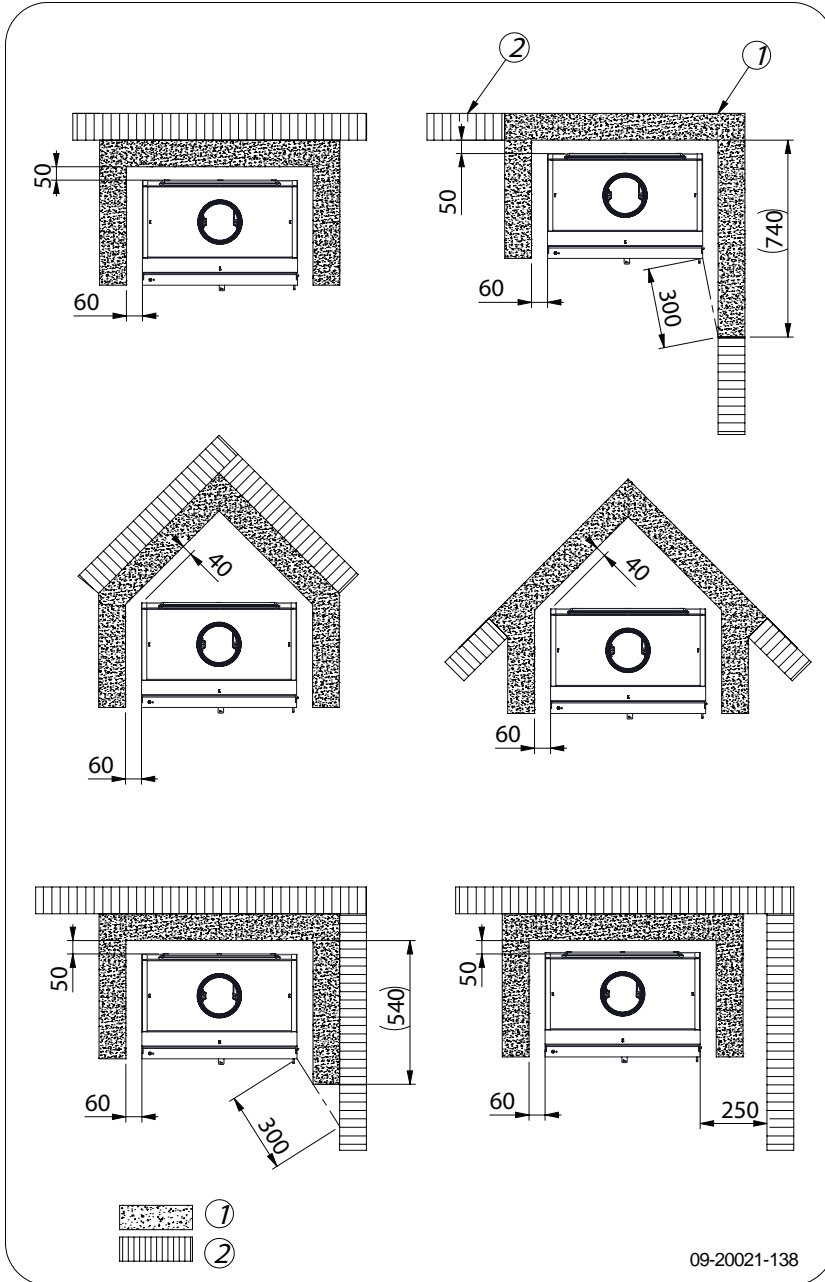




# VISTA 900C



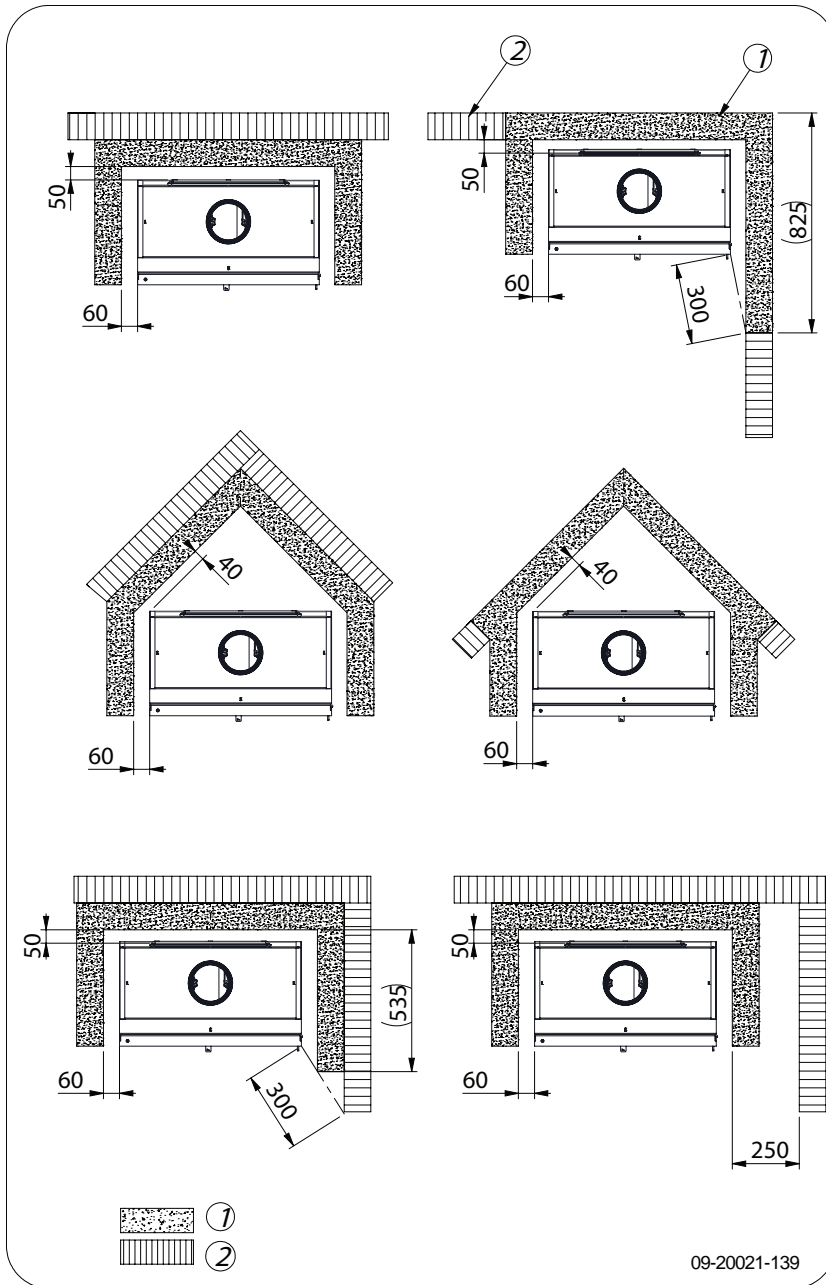
# Appendix 3: Distance from combustible material



## VISTA 600(C) - Minimum distance in millimetres



	Combustible material
	Incombustible material, thickness 100 mm

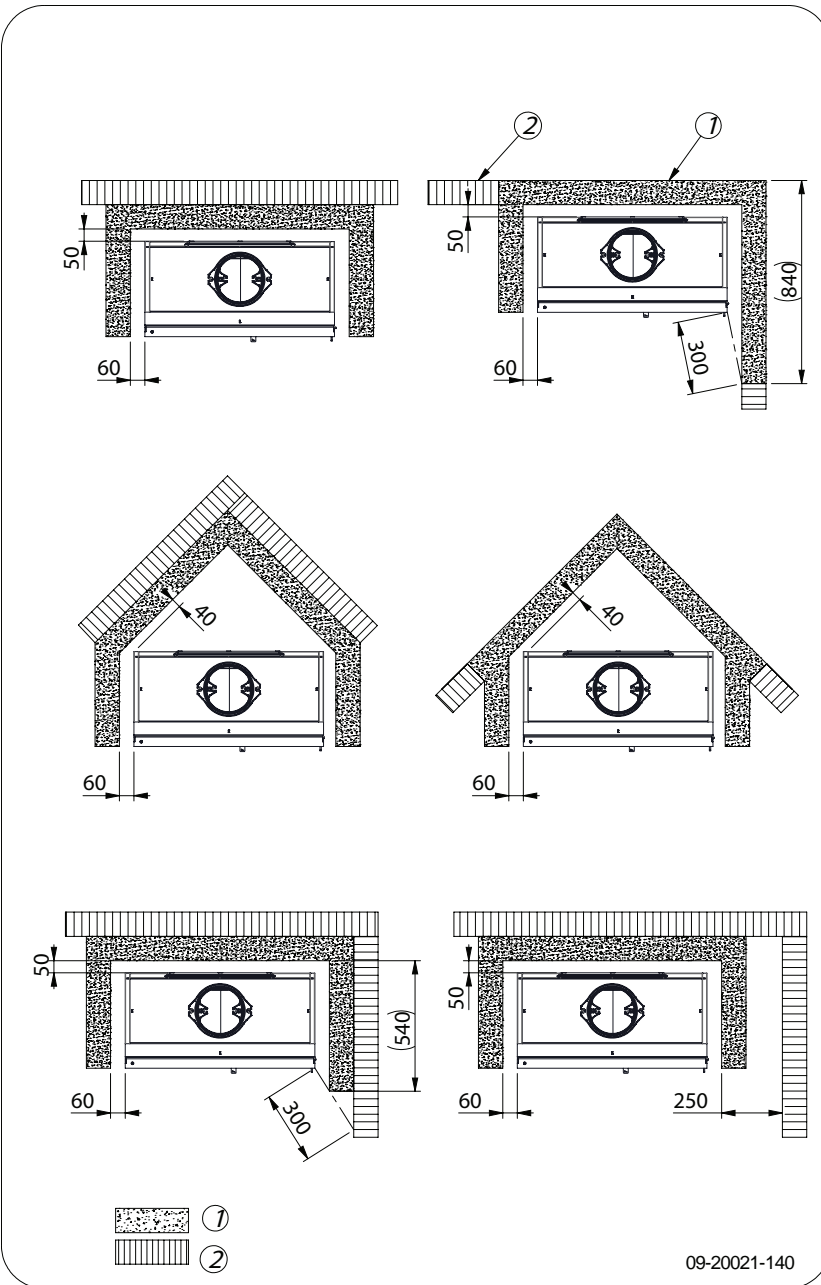
# VISTA 700(C) - Minimum distance in millimetres





	Combustible material
	Incombustible material, thickness 100 mm



# VISTA 800(C) - Minimum distance in millimetres

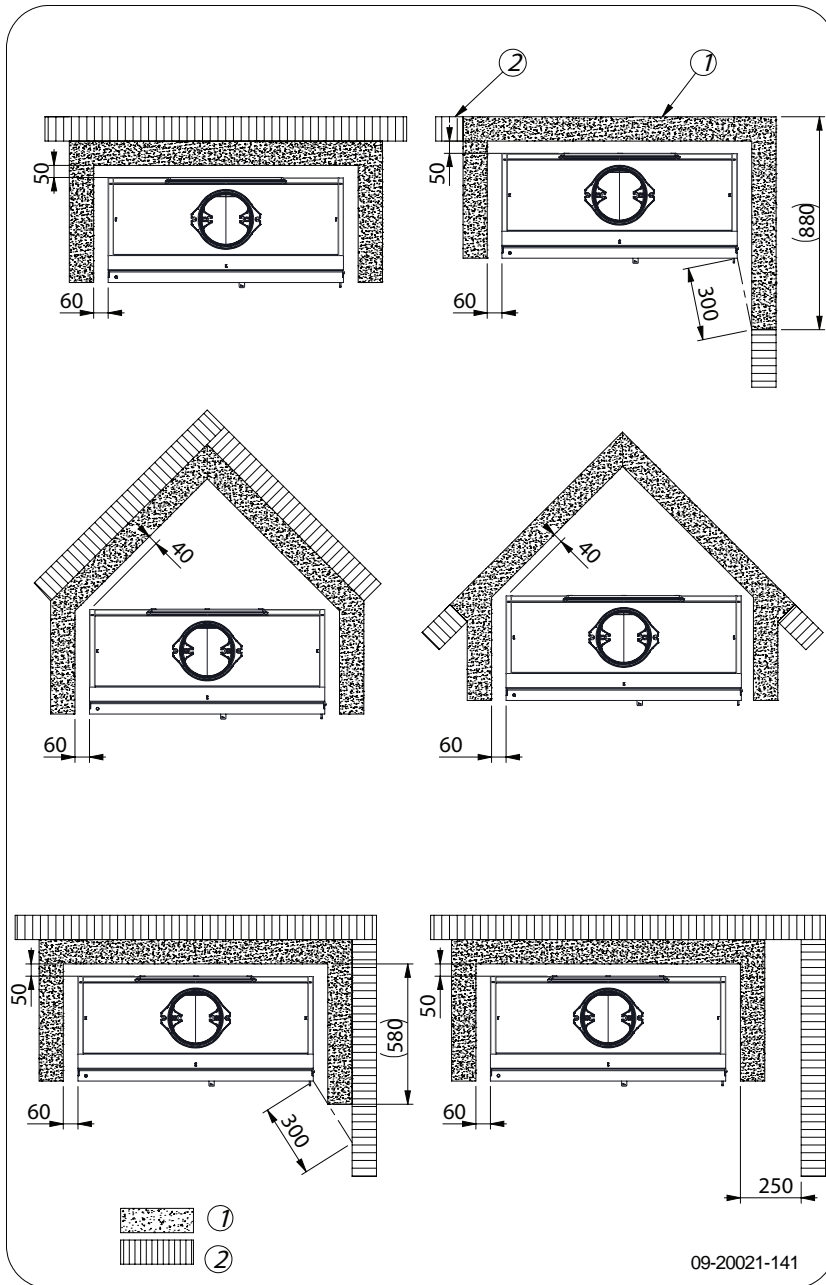




	Combustible material
	Incombustible material, thickness 100 mm

English



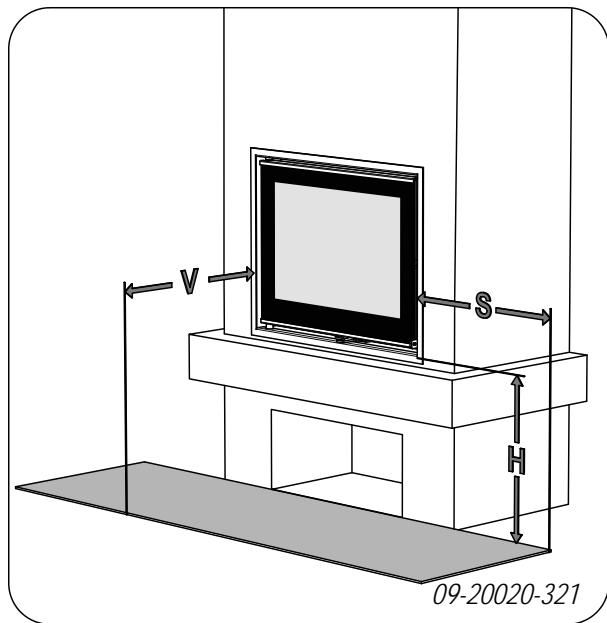
## VISTA 900(C) - Minimum distance in millimetres



	Combustible material
	Incombustible material, thickness 100 mm



## Dimensions of fireproof floor plate in centimetres



### Minimum dimensions of fireproof floor plate

$$V > H + 30 > 90$$

$$S > H + 20 > 40$$

$$V \geq \text{width of the appliance}$$

## Appendix 4: Diagnosis diagram

					Problem	
●					Wood will not stay lit	
	●				Gives off insufficient heat	
		●			Smoke emissions into the room when adding wood	
			●		Fire in appliance is too intense, is hard to adjust	
				●	Deposit on the glass	
					possible cause	possible solution
●	●	●		●	Insufficient draught	A cold flue usually fails to create sufficient draught. Follow the instructions for starting a fire in the 'Use' section; open a window.
●	●	●		●	Wood too damp	Use wood with no more than 20% moisture.
●	●	●		●	Logs too large	Use small pieces of kindling. Use split logs no larger than 30 cm in circumference.
●	●	●	●	●	Wood stacked incorrectly	Stack the logs in a way that allows adequate air flow between the logs (open stacking, see "Burning wood")
●	●	●		●	Flue does not work properly	Check whether the chimney meets the requirements: at least 4 metres high, correct diameter, well insulated, smooth inside, not too many bends, no obstructions in chimney (bird's nest, too much soot deposit), hermetically tight (no chinks).
●	●	●		●	Chimney stack incorrect	Sufficiently high above the roof, no obstacles in the vicinity
●	●	●	●	●	Air inlets set incorrectly	Open the air inlets completely.
●	●	●		●	Appliance connected to the chimney incorrectly	Connection should be hermetically tight.
●	●	●		●	Vacuum in area in which the appliance is installed	Switch off extraction systems.
●	●	●		●	Insufficient supply of fresh air	Provide an adequate air supply; if necessary, use outside air connection.
●	●	●		●	Bad weather ? Inversion (reversed air flow in chimney because of a high outside temperature), extreme wind speeds	We recommend you don't use the appliance in the case of inversion. If required, install an extra hood on the flue to increase the draught.
		●			Draught in the living room	Avoid draught in the living room, do not place the appliance near a door or heating air ducts.
				●	Flames touch the glass	Make sure the wood is not positioned too close to the glass. Slide the primary air inlet cover closer to the "Closed" position.
			●		Appliance is leaking air	Check the door seals and appliance joints.



# Index

<b>A</b>	
Adding wood	
smoking appliance	40
Adverse weather conditions, do not burn wood	24
Aerating the fire	23
Air combustion control	22
Air control	22
air inlet grate	
requirements	17
Air inlet grate	
placement	17
Air leak	25
Air outlet grate	
placement	17
requirements	17
Ash	
removing	24
Ash removal	24
<b>B</b>	
Bearing capacity of floor	13
Burning	22
adding fuel	22
appliance is hard to adjust	40
fire is too intense	40
insufficient heat	40
topping up fuel	24
Burning wood	
insufficient heat	24
<b>C</b>	
Cap on the flue	13
Carpet	13
Chinks in appliance	25
Cleaning	
appliance	24
glass	25
Combustible material	
distance from	35
Connecting	
dimensions	27
Connecting outside air supply	16
Connection to outside air	16
Controlling air supply	23
Convection space	
cover plate	17
instructions	17
Cover plate	
convection space	17
Creosote	23
<b>D</b>	
Damage	14
Damp wood	21
Dimensions	27
Door	
sealing rope	25
Draught	26
Drying wood	21
<b>E</b>	
Efficiency	5, 7, 9, 11, 26
External air supply	
connecting to	16
Extinguishing the fire	24
<b>F</b>	
Fan	13
connecting outside air supply	16
rule of thumb	13
Fan louvre	13
Filling level of the appliance	22
Finishing coat, maintenance	25
Finishing cover	20
Fire	
extinguishing	24
kindle	21
Fire-resistant inner plates	
maintenance	24
Fire safety	
distance from combustible material	35
floor	13
furniture	13
walls	13
Fireproof inner plates	
warning	21
Floors	
bearing capacity	13
fire safety	13



Flue	
connecting to .....	16
connection diameter .....	26
height .....	13
maintenance .....	24
requirements .....	12
Flue cap .....	13
Flue gas	
temperature .....	5, 7, 9, 11, 26
Flue gasses	
mass flow .....	26
Fog, do not burn wood .....	24
Fuel	
adding .....	22
necessary amount .....	24
suitable .....	21
topping up .....	24
unsuitable .....	21
wood .....	21
<b>G</b>	
Glass	
cleaning .....	25
deposit .....	40
<b>H</b>	
Heat, insufficient .....	24, 40
<b>I</b>	
Inner plate	
vermiculite .....	15
Inner plates	
remove .....	15
Inner plates, fire-resistant .....	15
Installing	
dimensions .....	27
<b>K</b>	
Kindling .....	40
<b>L</b>	
Lighting .....	21
Lighting fire .....	21
Lubricant .....	25
Lubricate .....	25
<b>M</b>	
Magnet .....	20

Maintenance	
Clean appliance .....	24
cleaning the glass .....	25
Fire-resistant inner plates .....	24
flue .....	24
lubrication .....	25
sealing .....	25
Mist, do not burn wood .....	24
<b>N</b>	
Nominal output .....	24, 26
<b>O</b>	
Open door	
glove .....	15
latch .....	15
Outside air supply .....	13, 16
<b>P</b>	
Paint .....	21
Particulate emission .....	26
Parts, removable .....	14
Preventing chimney fire .....	23
<b>R</b>	
Removable parts .....	14
Remove	
inner plates .....	15
stove base .....	15
Removing ash .....	24
<b>S</b>	
Screens	
deposit .....	40
Sealing rope for door .....	25
Smoke	
during first use .....	21
Smoke emissions into the room .....	12
Smoking appliance .....	40
Softwood .....	21
Solving problems .....	24, 40
Stacking logs .....	22
Storing wood .....	21
Stove base	
remove .....	15
Stove glass cleaner .....	25



Suitable fuel .....	21
Sweeping flue .....	24

**T**

Tar .....	23
Temperature .....	26
Topping up with fuel .....	24

**U**

Unsuitable fuel .....	21
-----------------------	----

**V**

Vermiculite fire-resistant .....	15
-------------------------------------	----

**W**

Walls fire safety .....	13
Warning	
chimney fire .....	21, 23
chimney fires .....	12
fireproof inner plates .....	21
flammable materials .....	12
glass broken or cracked .....	12, 25
hot surface .....	12
placing a load on door .....	12
requirements .....	12
stove glass cleaner .....	25
terms and conditions for insurance .....	12
ventilation .....	12-13
Weight .....	26
Wood .....	21
damp .....	21
drying .....	21
right sort .....	21
storing .....	21
will not stay lit .....	40